

V :1

H MM	L MM	PRODUCT CODE
27	1020	IL 4-0-1-27-1020
13	1020	IL 4-0-1-13-1020

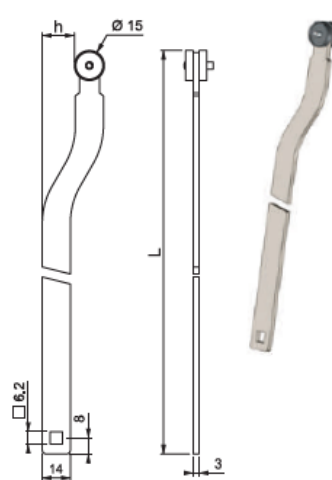
APPLICATION:

- With gear-box locks



ACCESSORIES:

- Flat-rod guide (LY)



V :2

H MM	L MM	PRODUCT CODE
21	1020	IL 4-0- 2-21-1020
16	1020	IL 4-0- 2-16-1020

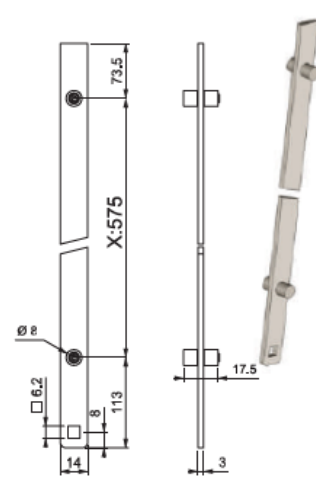
APPLICATION:

- With gear-box locks



ACCESSORIES:

- Flat-rod guide (LY)



V :3

X MM	PRODUCT CODE
575	ILP 4-0-1-575

APPLICATION:

- With gear-box locks

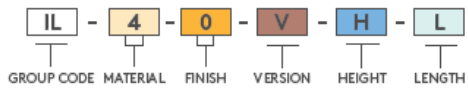


ACCESSORIES:

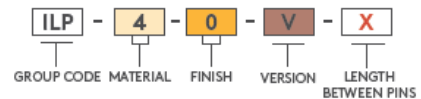
- Flat-rod guide (LY)
- Dual roller catcher (LKY)

For other materials please check:
page 161

PRODUCT CODE



PRODUCT CODE



Præstmark A/S · Staktoften 1 · DK-2950 Vedbæk · Danmark · +45 3888 4400
sales@praestmark.dk · VAT: DK87801314 · www.praestmark.dk