

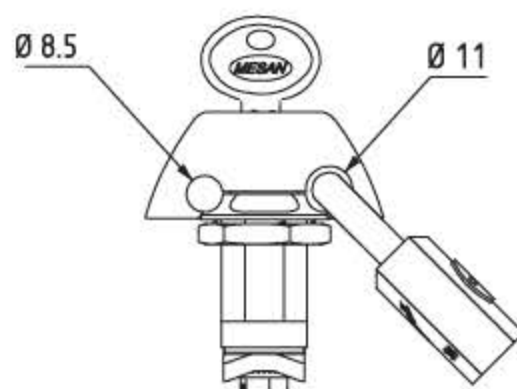
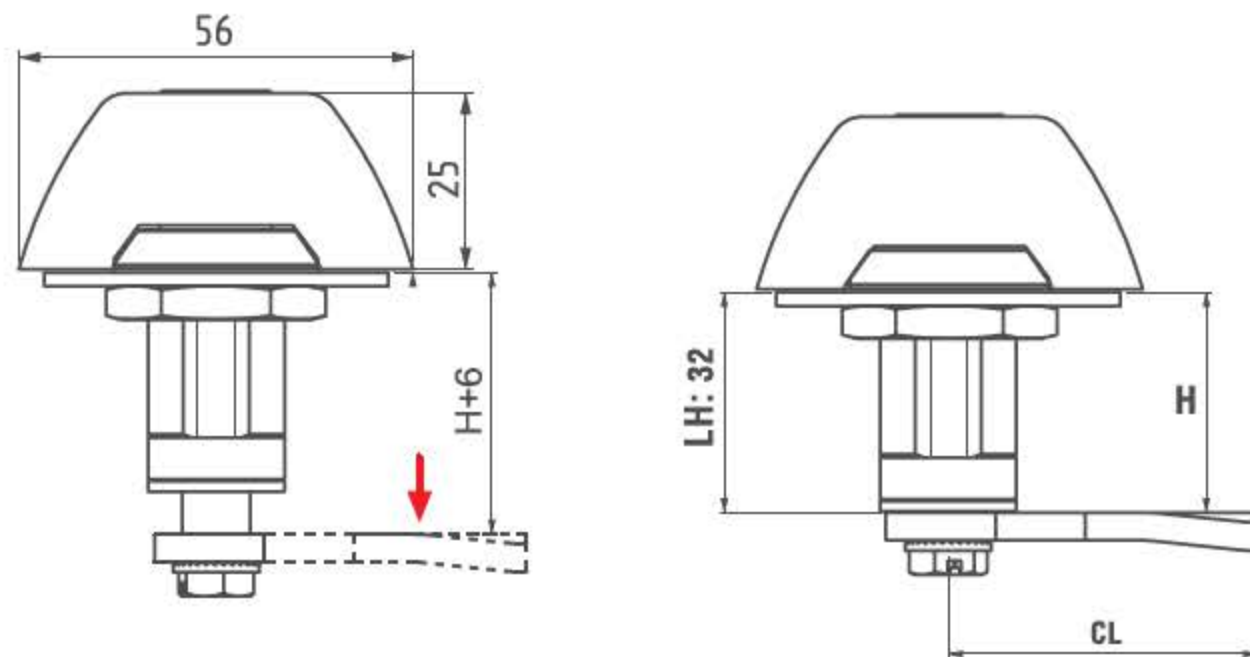
**COMPRESSION LOCK – WING KNOB**

**340**



LH/RH

RoHS



①

Padlock application

- Used for cabinets that require better sealing under vibrating conditions
- Provides 6 mm of compression
- Provides noise isolation
- Standard cams without stopper required for these locks

**APPLICATIONS**

Railway applications, construction equipment, electric panels, machinery covers

**MATERIAL**

HOUSING: Zamak DIN-EN 1774-ZnAl4Cu1

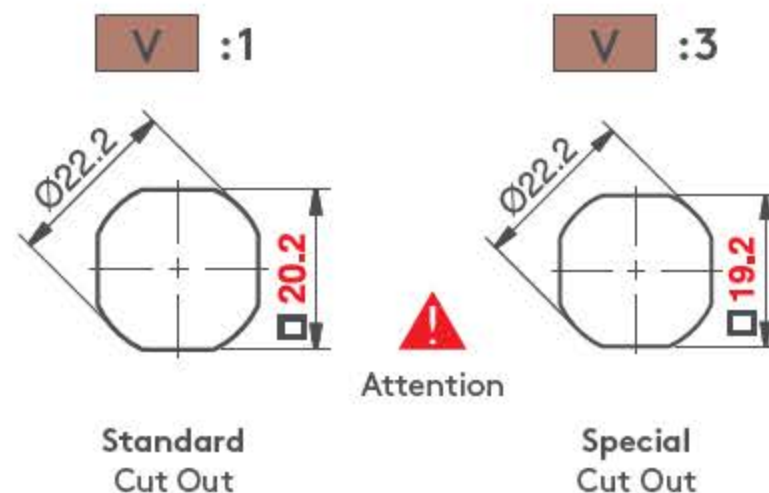
KNOB: Zamak DIN-EN 1774-ZnAl4Cu1

CAM: Steel

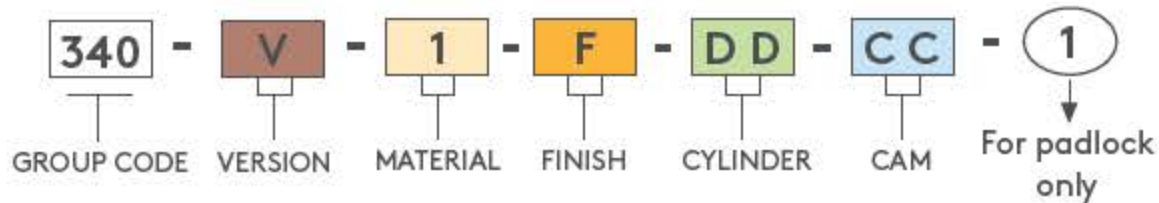
GASKET: Rubber

**FINISH**

Chrome or black coated



**PRODUCT CODE**



MATERIAL	M	FINISH	F
Zamak	1	Chrome	1
		Black coated	2

CYLINDER	SPECIFICATIONS	DD
	No cylinder	00
	Stainless steel dust cap (Keyed alike)	03
	Stainless steel dust cap (Keyed differ)	32
	CH751 (Stainless steel dust cap)	07

