

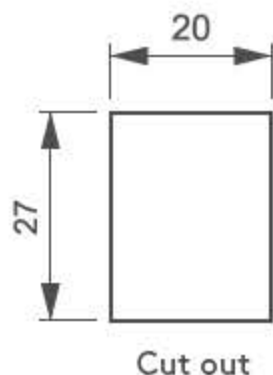
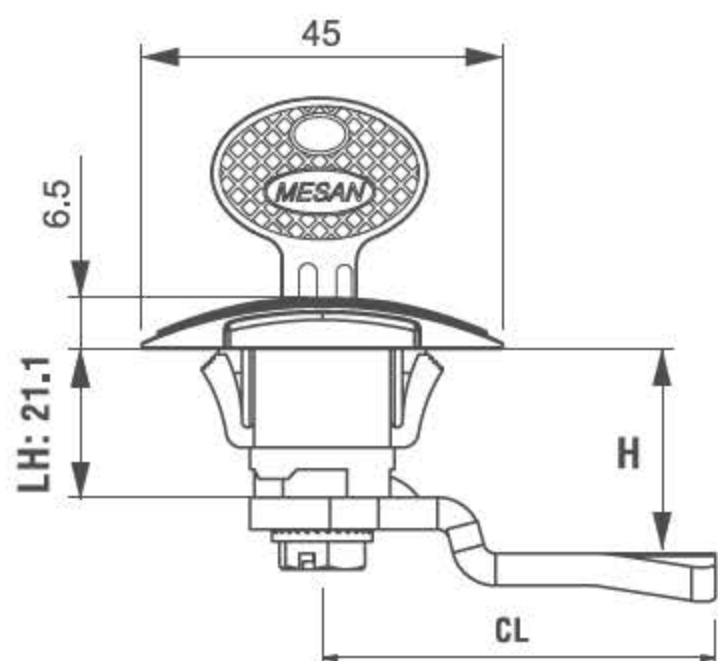
261

KNOB LOCK



LH/RH

RoHS



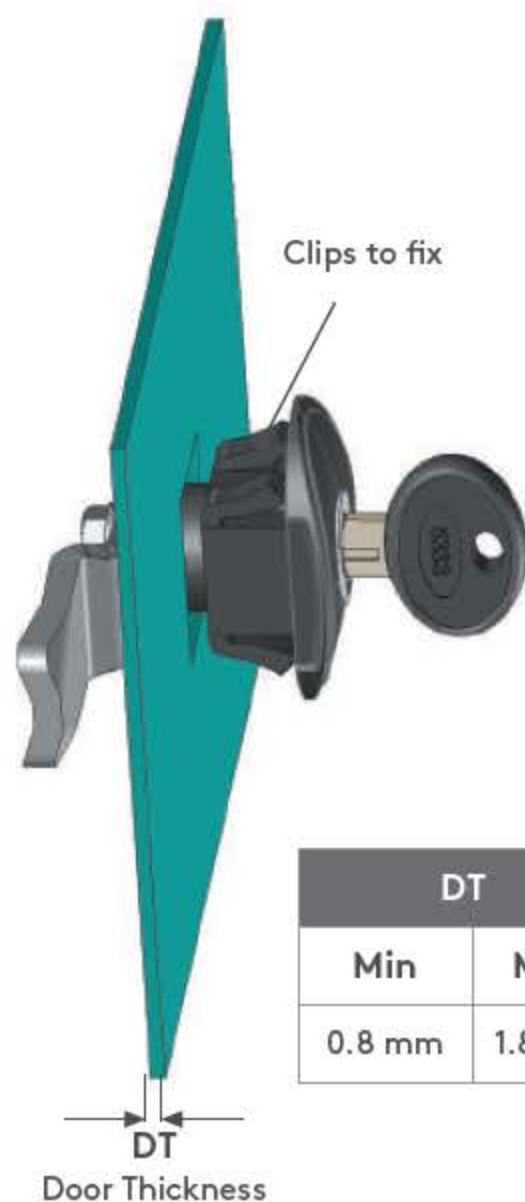
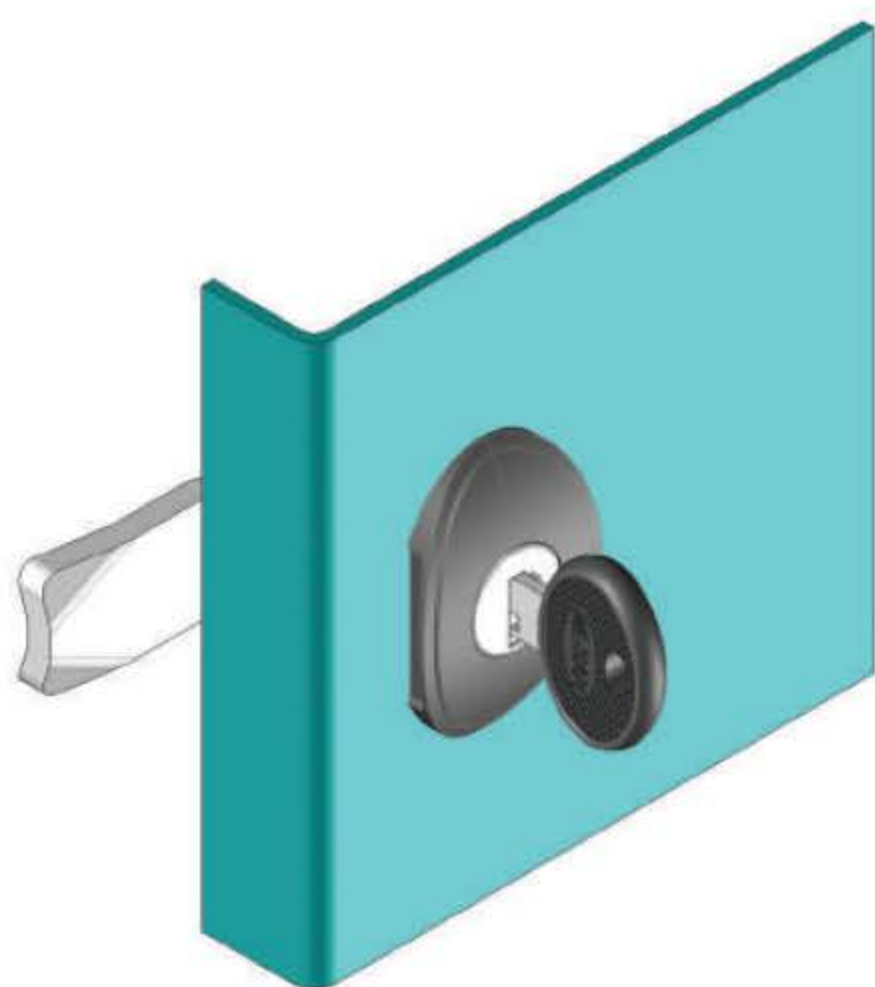
- Clip fixing for easy assembly
- Mounting nut not required
- Special 20 mm x 26 mm cut out
- No IP 65 version of this lock
- 1.8 mm maximum panel thickness

APPLICATIONS

Electric panels, machinery covers

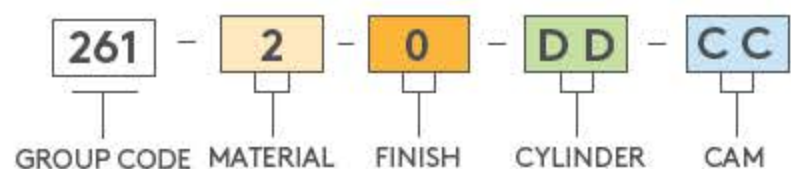
MATERIAL

HOUSING: Polyamide DIN-EN ISO 1043-1 PA6 GFR 30
 CAM: Steel or Plastic
 GASKET: Rubber



DT	
Min	Max
0.8 mm	1.8 mm

PRODUCT CODE



CYLINDER	SPECIFICATIONS	DD
	Keyed alike	01
	Keyed differ	02
	Stainless steel dust cap (Keyed alike)	03
	Stainless steel dust cap (Keyed differ)	32
	Master System	04
	Euro key (5333)	05
	CH751 (Stainless steel dust cap)	07

