

**COMPRESSION LOCK - T HANDLE**

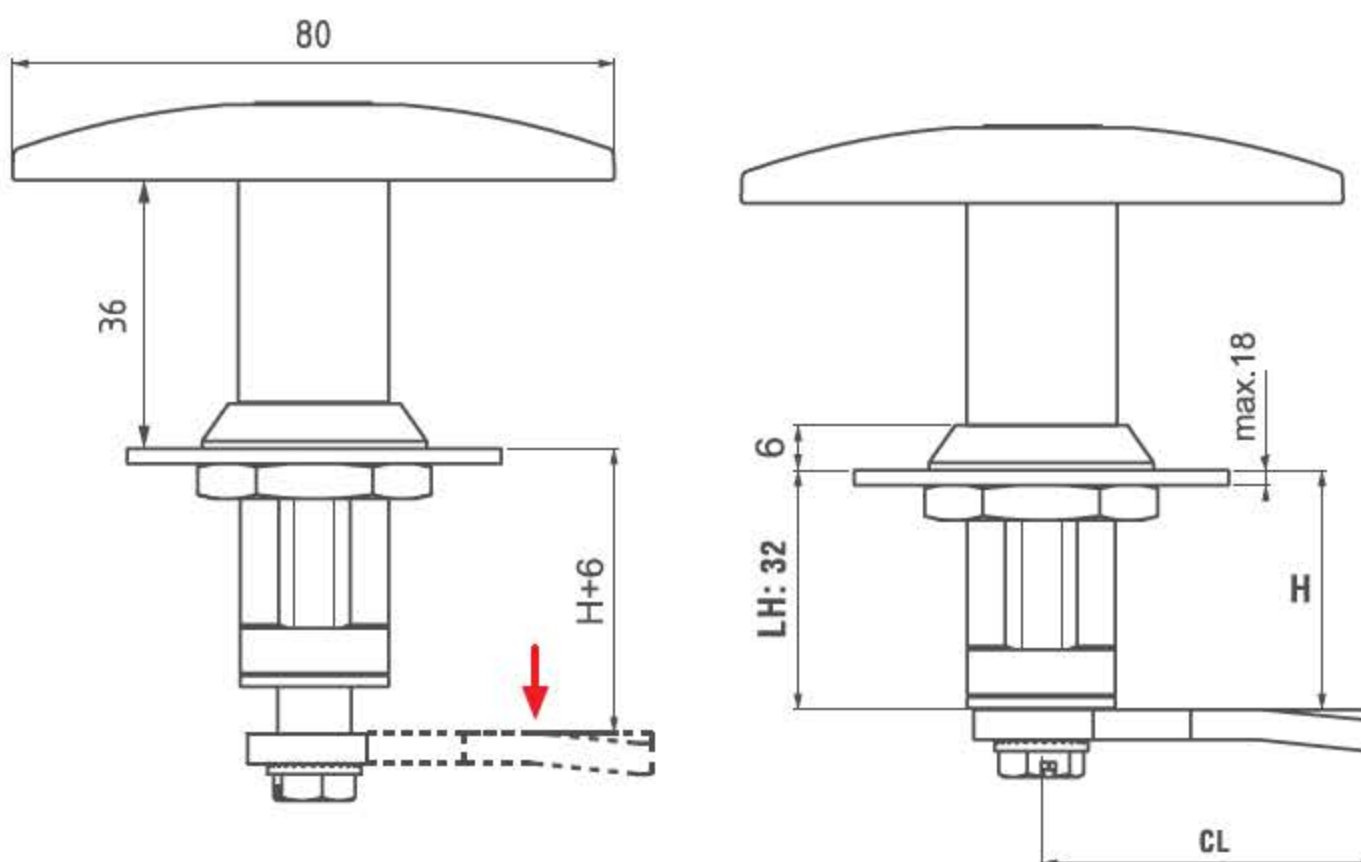
**240**

IP 65



LH/RH

RoHS



- Used for cabinets require better sealing under vibrating conditions
- Provides 6 mm of compression
- Provides noise isolation
- Standard cams without stopper required for these locks

**APPLICATIONS**

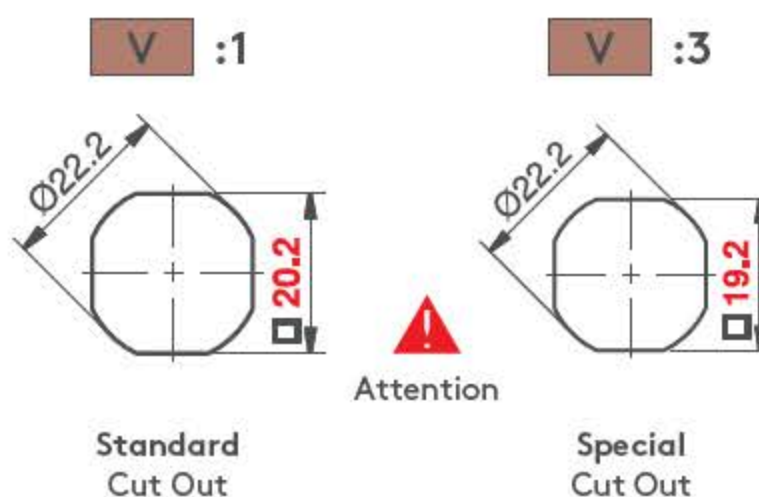
Railway applications, construction equipment, electric panels, machinery covers

**MATERIAL**

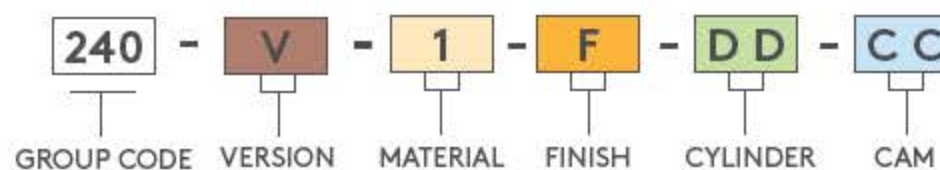
HOUSING: Zamak DIN-EN 1774-ZnAl4Cu1  
 HANDLE: Zamak DIN-EN 1774-ZnAl4Cu1  
 CAM: Steel  
 GASKET: Rubber

**FINISH**

Chrome or black coated



**PRODUCT CODE**



MATERIAL	M	FINISH	F
Zamak	1	Chrome	1
		Black coated	2

CYLINDER	SPECIFICATIONS	DD
	No cylinder	00
	Stainless steel dust cap (Keyed alike)	03
	Stainless steel dust cap (Keyed differ)	32
	CH751 (Stainless steel dust cap)	07

