

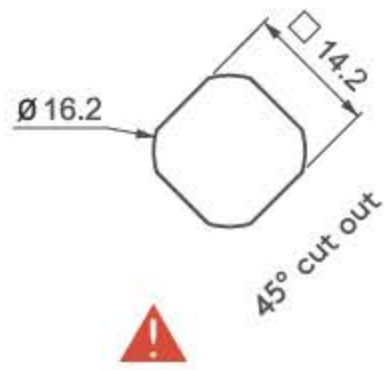
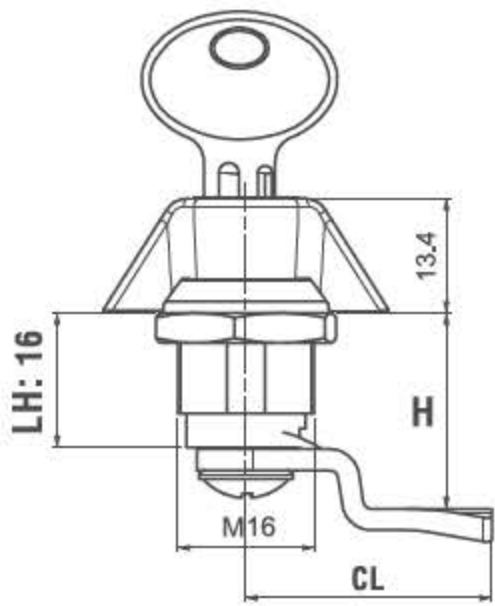
165

MINI CAM LOCK - WING KNOB



LH/RH

RoHS



- Quarter-turn operation
- Available all die-cast zinc alloy
- Suitable for small cabinets

165 1-1-DD-CC
ZAMAK - CHROME

165 1-2-DD-CC
ZAMAK - BLACK COATED



APPLICATIONS

Electric panels, machinery covers

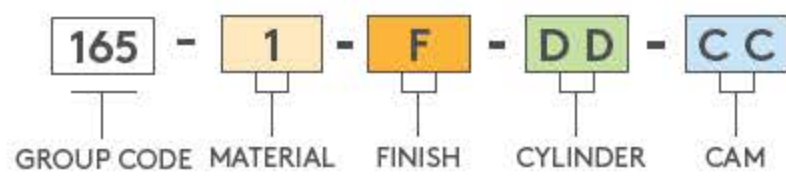
MATERIAL

HOUSING: Zamak DIN-EN 1774-ZnAl4Cu1

KNOB: Zamak DIN-EN 1774-ZnAl4Cu1

CAM: Steel

PRODUCT CODE



MATERIAL	M	FINISH	F
Zamak	1	Chrome	1
		Black coated	2

CYLINDER	SPECIFICATIONS	DD
	Stainless steel dust cap (Keyed alike)	03
	Stainless steel dust cap (Keyed differ)	32

