
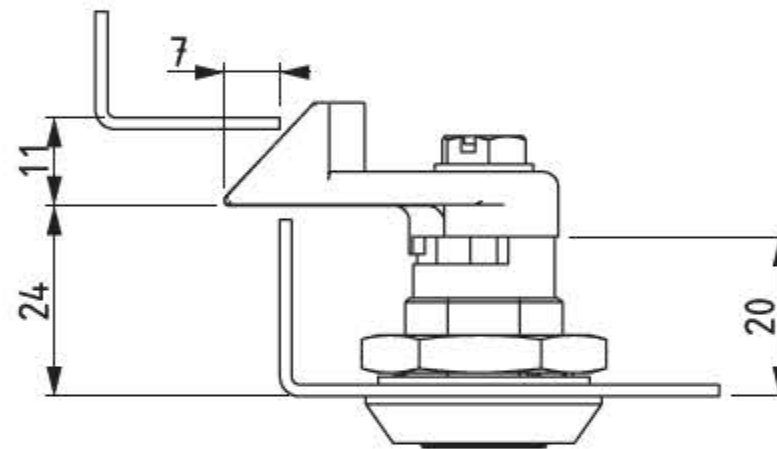
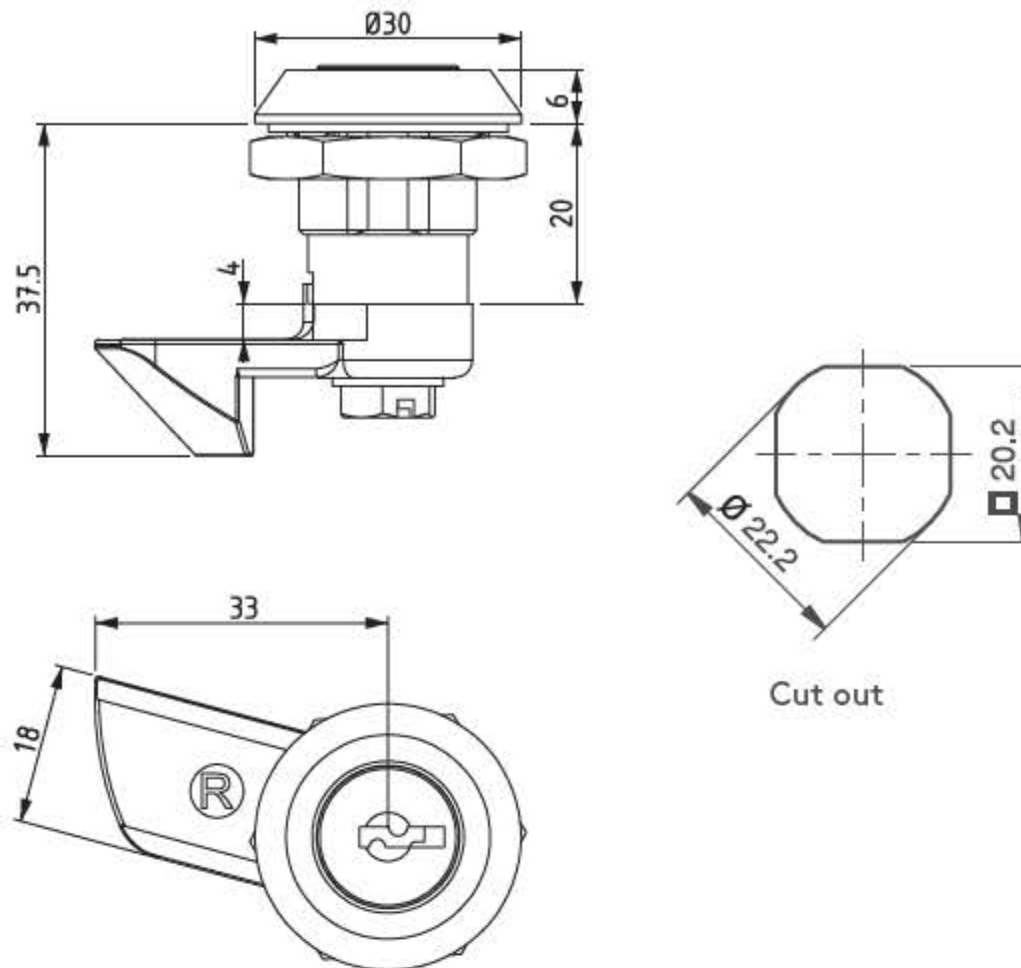




- 
- LH
- RH
- RoHS



- Spring-loaded cam provides depress-to-lock action
- Distance between inside of lock face and front of cam fixed at 24 mm
- There is no IP 65 version of this lock, due to spring loaded cam

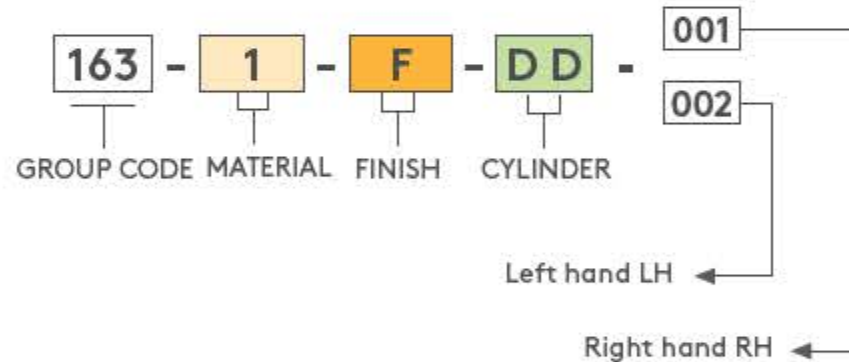
APPLICATIONS

Electric panels, machinery covers


MATERIAL

- HOUSING: Zamak DIN-EN 1774-ZnAl4Cu1
- CYLINDER: Zamak DIN-EN 1774-ZnAl4Cu11
- CAM: Steel
- GASKET: Rubber

PRODUCT CODE



MATERIAL	M	FINISH	F
Zamak	1	Chrome	1
		Black coated	2

CYLINDER	SPECIFICATIONS	DD
	Keyed alike	01
	Keyed differ	02
	Stainless steel dust cap (Keyed alike)	03
	Stainless steel dust cap (Keyed differ)	32
	Master System	04
	Euro key (5333)	05
	CH751 (Stainless steel dust cap)	07

