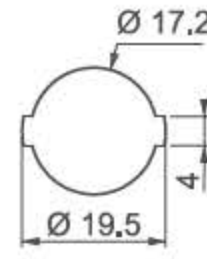
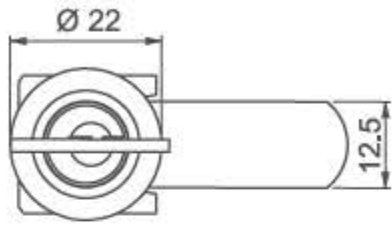


Fixed by clips



Cut out



KEY ROTATION ANGLE



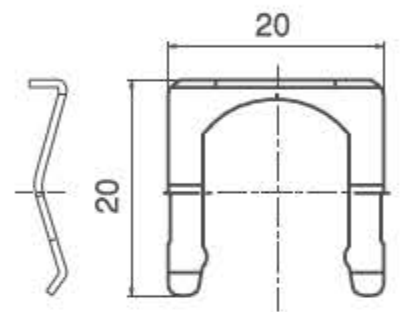
- Suitable for both steel and aluminium profile

**APPLICATIONS**

Metal drawers, metal cabinets, post boxes, aluminium profiles

**MATERIAL**

HOUSING: Zamak DIN-EN 1774-ZnAl4Cu1  
CAM: Steel



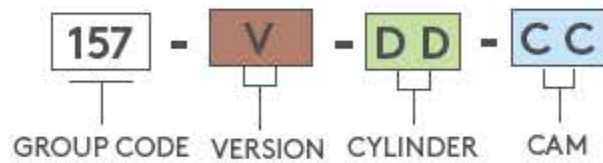
Thickness: 0.7 mm

STOCK CODE	CC	CH	CL	LH:9.5 H
30403487	27	0	16	9.5
31403040	28	1	33	10.5
31403032	23	1	38	10.5
30403469	24	5	38	14.5
31403041	29	6	30	15.5

Hook cam (CC: 29)

DOOR THICKNESS	VERSION
1.2 -1.5 mm thickness panel	1
0.8 -1.2 mm thickness panel	2

**PRODUCT CODE**



CYLINDER	SPECIFICATIONS	DD
	Stainless steel dust cap (Keyed alike)	03
	Stainless steel dust cap (Keyed differ)	32

