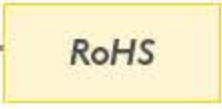


QUARTER TURN - T HANDLE

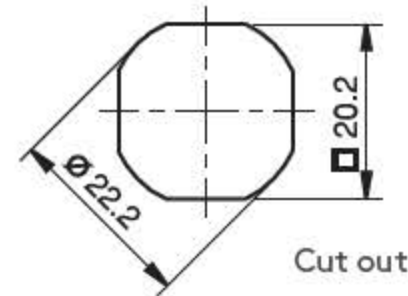
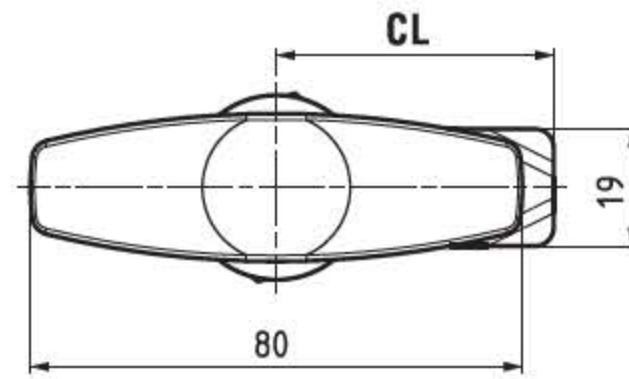
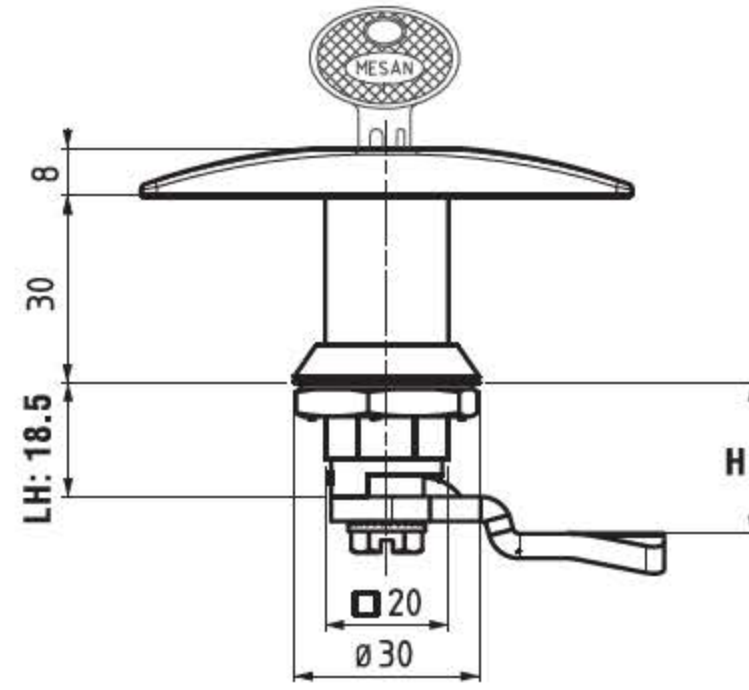
110



LH/RH



RoHS




- Quarter-turn operation
- Stainless steel

**MATERIAL**

HOUSING: Stainless Steel (AISI 316)  
 HANDLE: Stainless Steel (AISI 316)  
 CAM: Stainless Steel (AISI 304)  
 GASKET: Rubber



No cylinder '00'

CYLINDER	SPECIFICATIONS	DD
	No cylinder	00
	Keyed alike	01
	Keyed differ	02
	Euro key (5333)	05
	CH751 (Stainless steel dust cap)	07

**PRODUCT CODE**

