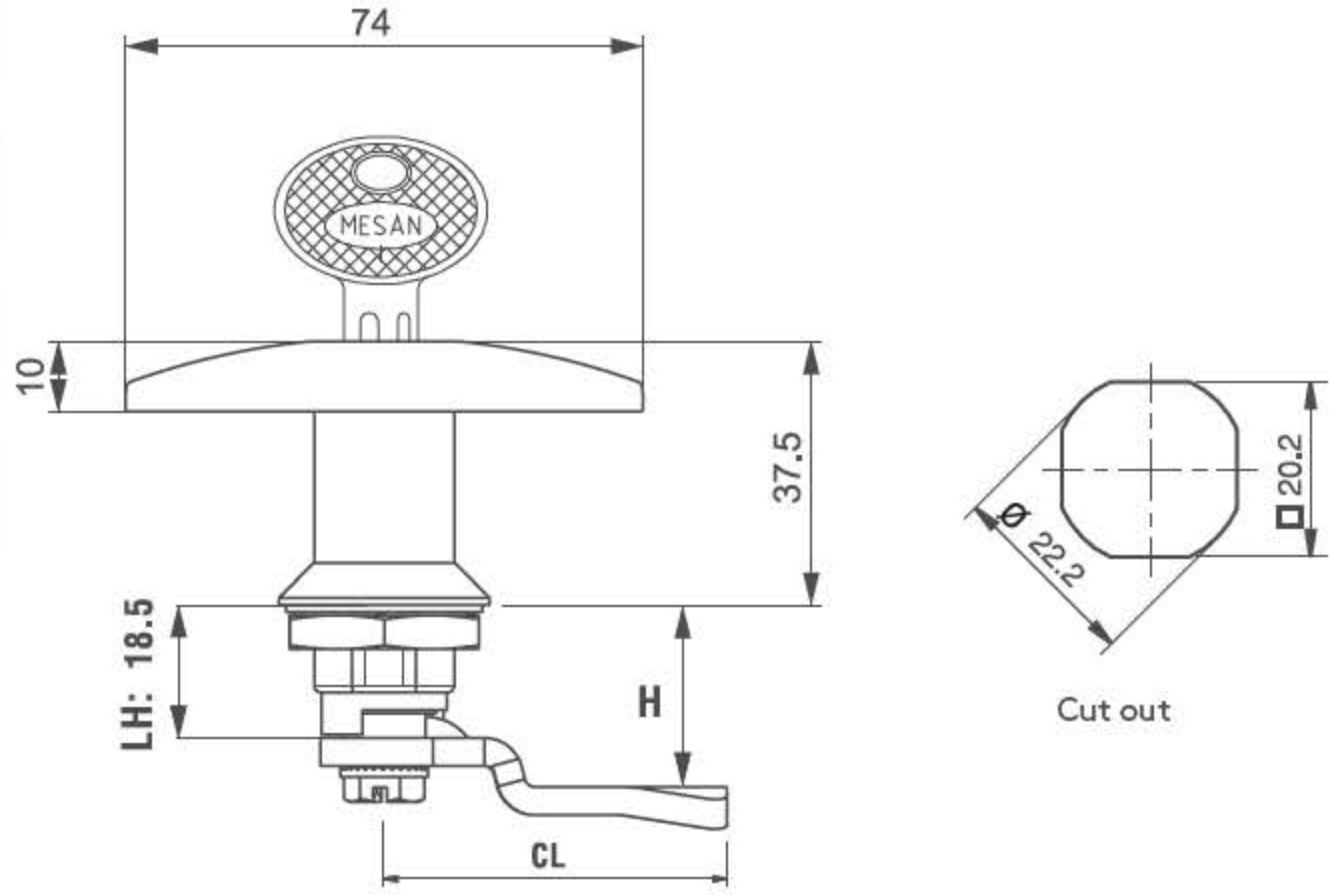


CAM LOCK – T HANDLE

110



- IP 65
-
- LH/RH
- RoHS



- Quarter-turn operation
- Available in all die-cast zinc alloy or with polyamide wing handle and housing
- Optional blind version

APPLICATIONS
Electric panels, machinery covers

MATERIAL
HOUSING: Zamak DIN-EN 1774-ZnAl4Cu1
CAM: Steel or Plastic
GASKET: Rubber

110 1-1-DD-CC
ZAMAK – CHROME



110 1-2-DD-CC
ZAMAK – BLACK COATED



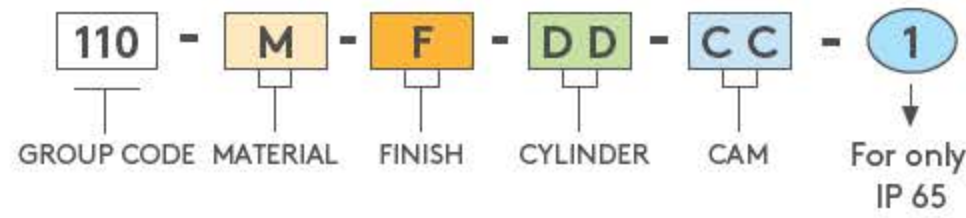
110 2-0-DD-CC
PLASTIC



No cylinder '00'



PRODUCT CODE



MATERIAL		M	FINISH		F
Zamak		1	Chrome		1
			Black coated		2
Plastic		2	No finish		0

CYLINDER	SPECIFICATIONS	DD
	No cylinder	00
	Keyed alike	01
	Keyed differ	02
	Euro key (5333)	05
	CH751 (Stainless steel dust cap)	07

