

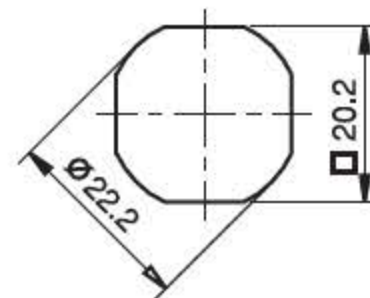
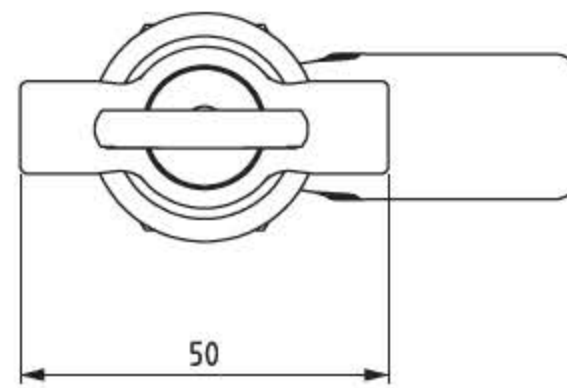
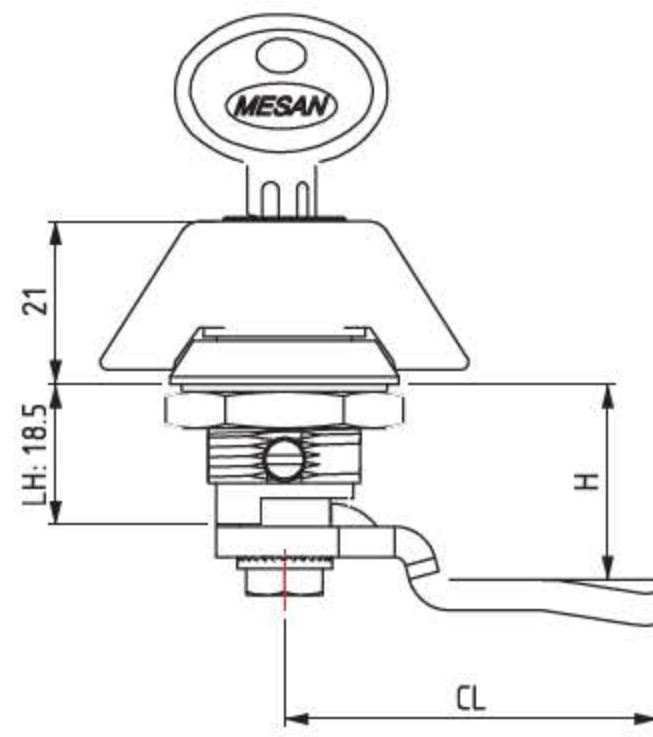


IP 65



LH/RH

RoHS



Cut out

- Quarter turn operation
- All in stainless steel

MATERIAL

HOUSING: Stainless Steel (AISI 316)
 KNOB: Stainless Steel (AISI 316)
 CAM: Stainless Steel (AISI 304)
 GASKET: Rubber



No cylinder '00'

CYLINDER	SPECIFICATIONS	DD
	No cylinder	00
	Keyed alike	01
	Keyed differ	02
	Euro key (5333)	05
	CH751 (Stainless steel dust cap)	07

PRODUCT CODE

