

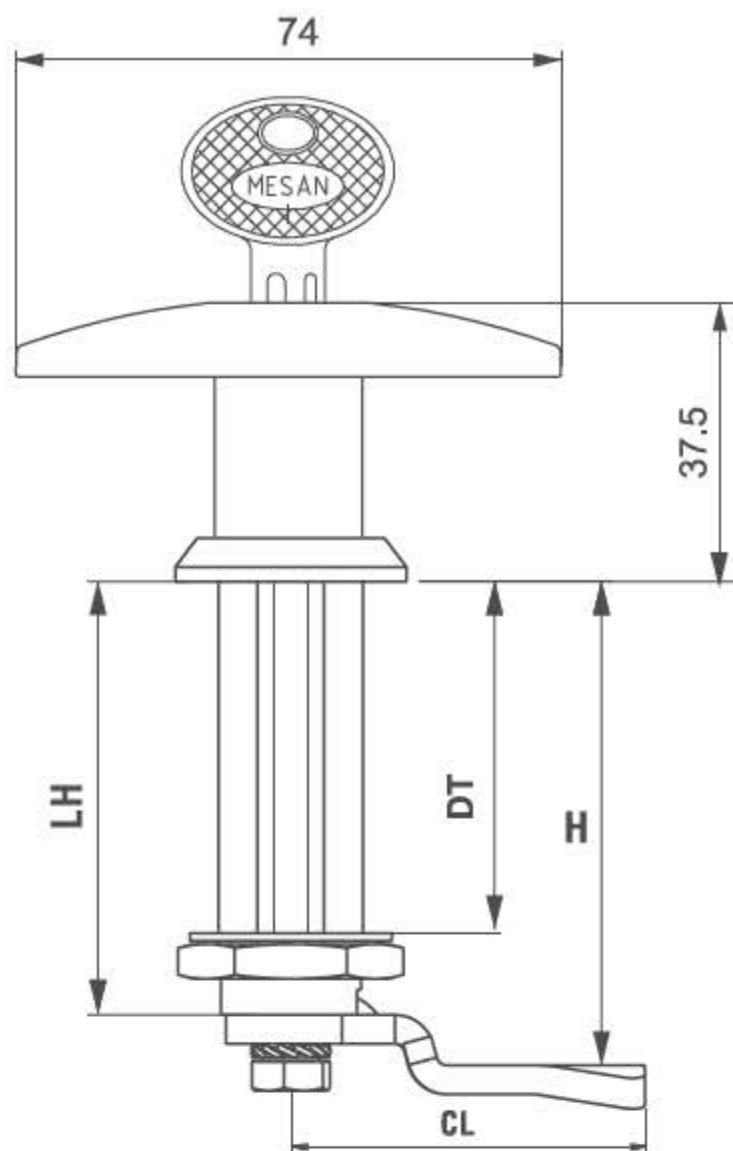
CAM LOCK - T HANDLE

064

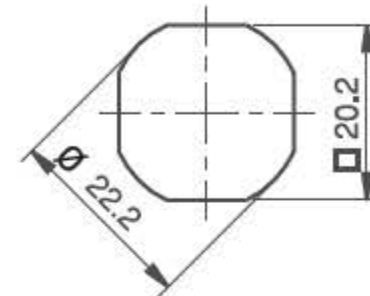


LH/RH

RoHS



DT	LH
20	30
30	40
40	50
50	60



Cut out

- For soundproof or isolated doors
- Supplied with adapter suitable to standard housing
- Available in all die-cast zinc alloy or with polyamide wing handle and housing
- Optional blind version

APPLICATIONS

Electric panels, machinery covers

MATERIAL

HOUSING: Zamak DIN-EN 1774-ZnAl4Cu1  
 CAM: Steel or Plastic  
 GASKET: Rubber

064 110-DT-1-1-DD-CC  
 ZAMAK - CHROME

064 110-DT-1-2-DD-CC  
 ZAMAK - BLACK COATED

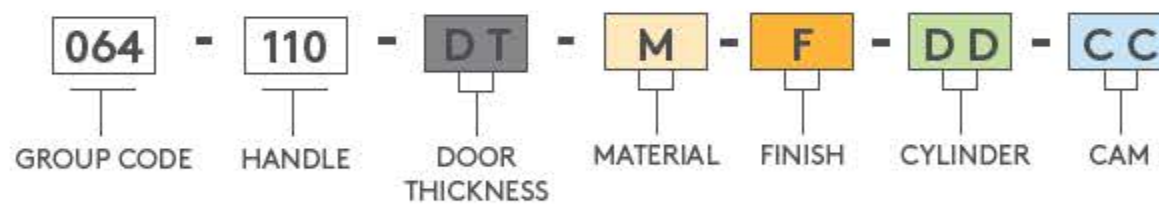
064 110-DT-2-0-DD-CC  
 PLASTIC



No cylinder '00'



PRODUCT CODE



MATERIAL	M	FINISH	F
Zamak	1	Chrome	1
		Black coated	2
Plastic	2	No finish	0

CYLINDER	SPECIFICATIONS	DD
	No cylinder	00
	Keyed alike	01
	Keyed differ	02
	Euro key (5333)	05
	CH751 (Stainless steel dust cap)	07

