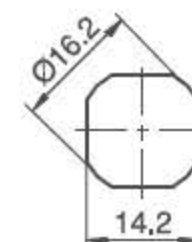
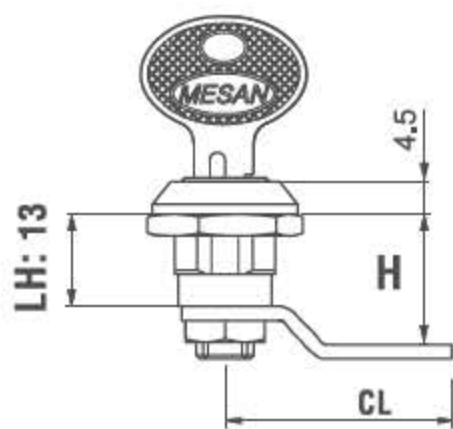
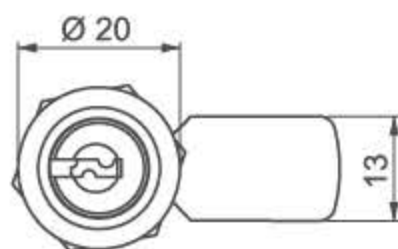


V :1



Cut out

Fixed by nut



KEY ROTATION ANGLE



- Keyed differ has maximum 100 key combination

APPLICATIONS

Metal drawers, metal cabinets, post boxes

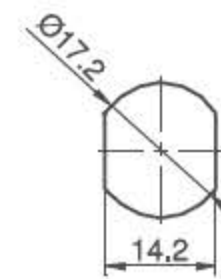
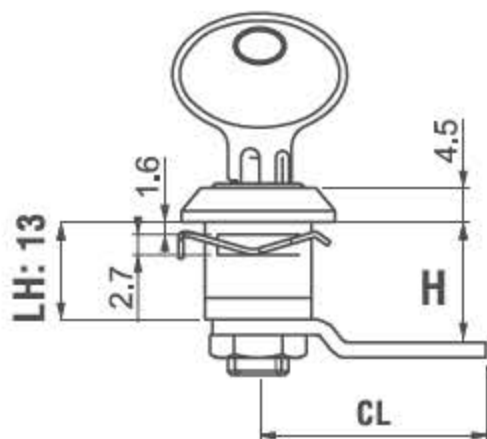
MATERIAL

HOUSING: Zamak DIN-EN 1774-ZnAl4Cu1
CAM: Steel

FINISH

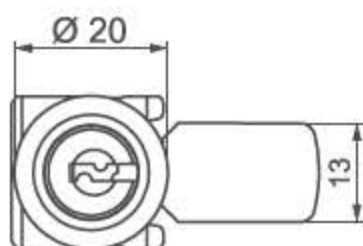
Chrome

V :3



Cut out

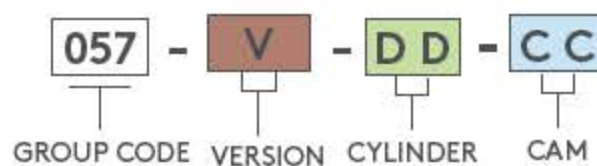
Fixed by clips



KEY ROTATION ANGLE



PRODUCT CODE



CYLINDER	SPECIFICATIONS	DD
	Stainless steel dust cap (Keyed alike)	03
	Stainless steel dust cap (Keyed differ)	32

