

APPLICATIONS

Briefcases, steel drawers, machinery covers

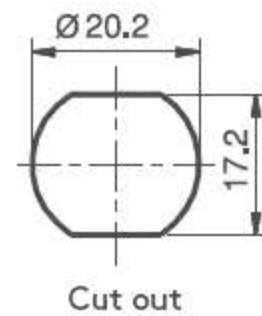
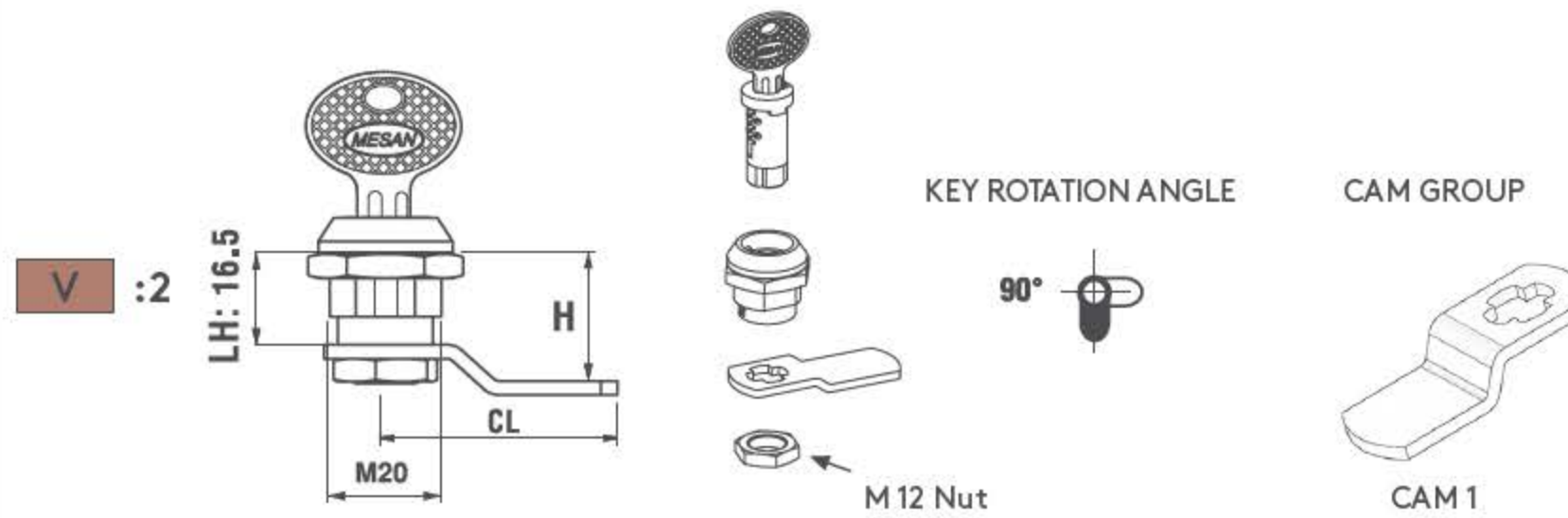
MATERIAL

HOUSING: Zamak DIN-EN 1774-ZnAl4Cu1

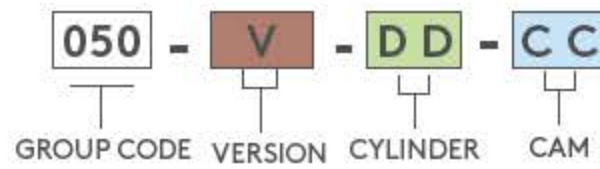
CAM: Steel

FINISH

Chrome plated



PRODUCT CODE



CYLINDER	SPECIFICATIONS	DD
	Keyed alike	01
	Keyed differ	02
	Stainless steel dust cap (Keyed alike)	03
	Stainless steel dust cap (1000 Keyed differ)	32
	Euro key (5333)	05

