

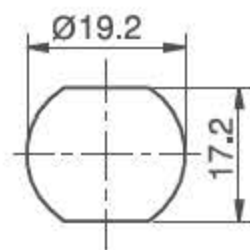
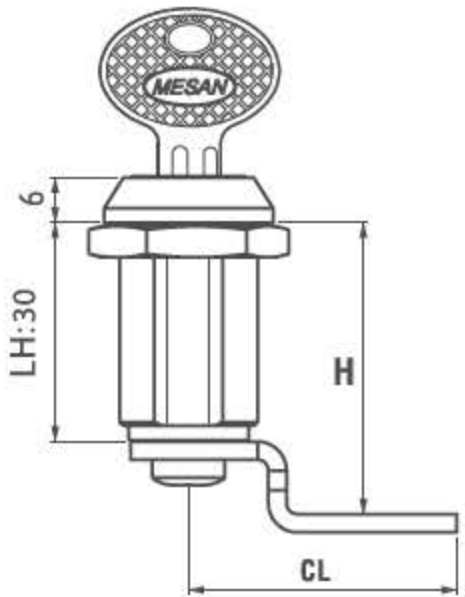
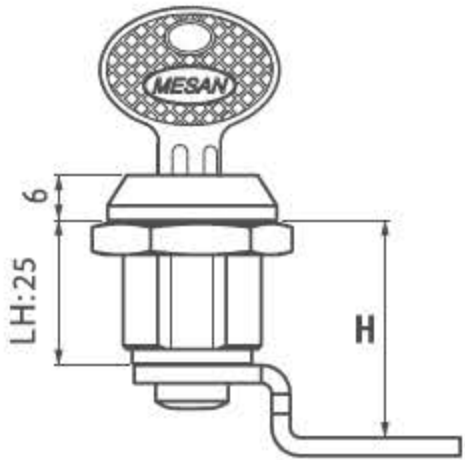
KEY ROTATION ANGLE



CAM GROUP



CAM 1



Cut out

**APPLICATIONS**

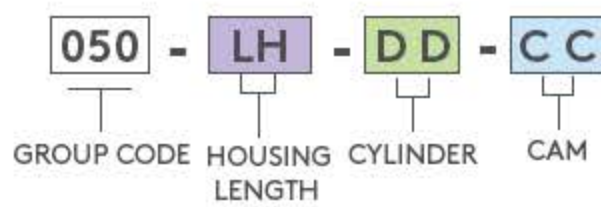
Wooden and steel cupboard


MATERIALHOUSING: Zamak DIN-EN
1774-ZnAl4Cu1

CAM: Steel

FINISH

Chrome plated

PRODUCT CODE

CYLINDER	SPECIFICATIONS	DD
	Keyed alike	01
	Keyed differ	02
	Stainless steel dust cap (Keyed alike)	03
	Stainless steel dust cap (1000 Keyed differ)	32
	Euro key (5333)	05

