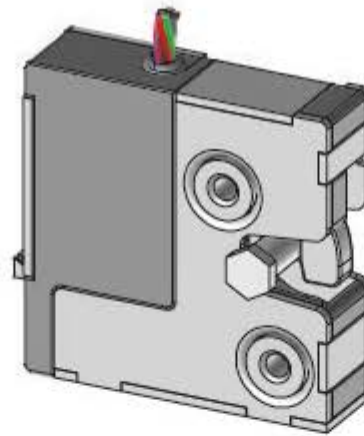


Unlocked position



Locked position

SB.4

STRIKER BOLT



MATERIAL
BODY: Steel

FINISH
Zinc Plated

