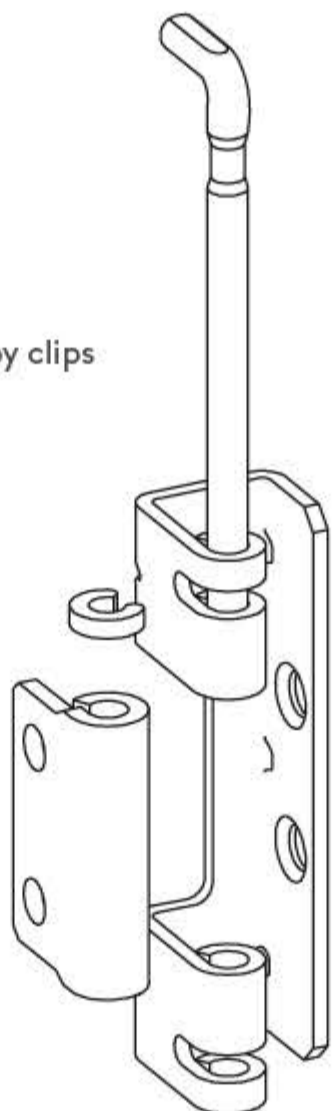
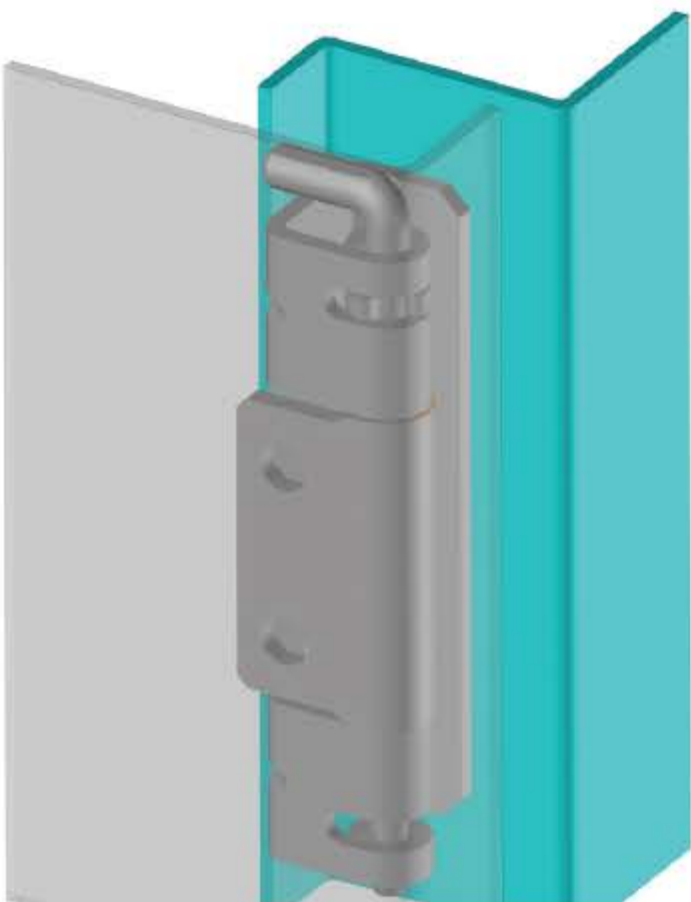
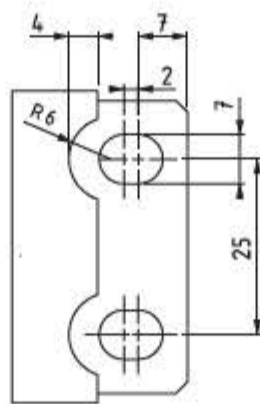
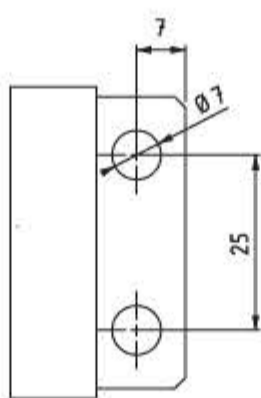


Fixed by clips



Middle Parts



LH/RH



- Removable pin allow to remove the door
- Suitable for heavy-duty applications
- Suitable for 24.5 mm bend door cabinets

MATERIAL

BODY: Stainless Steel (AISI 304)
PIN: Stainless Steel (AISI 303)

PRODUCT CODE

