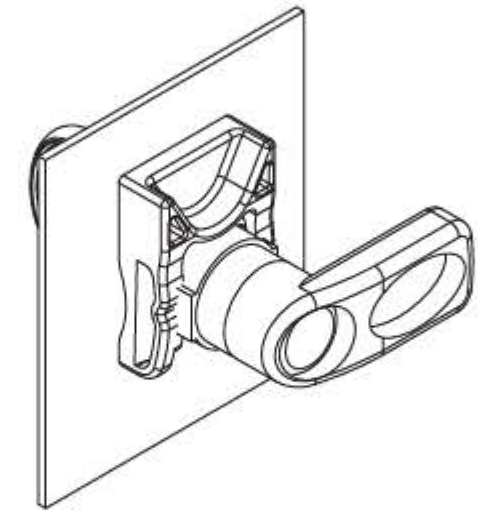
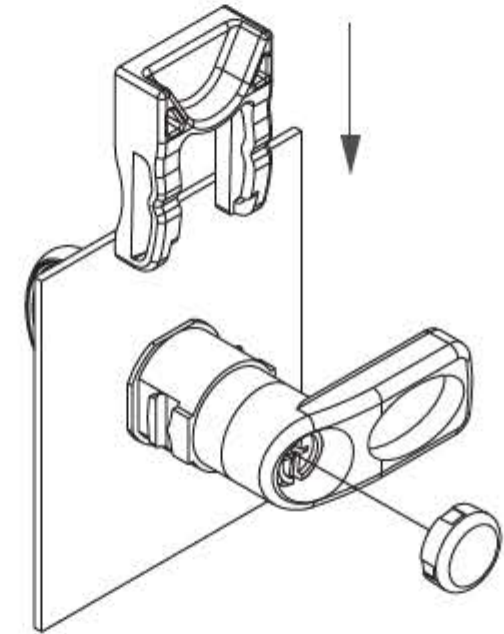
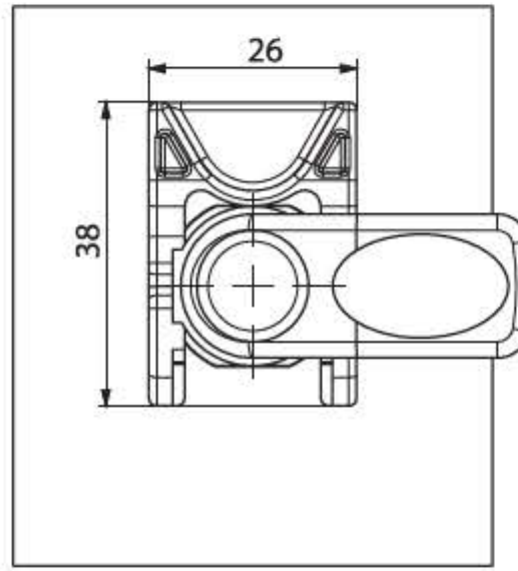
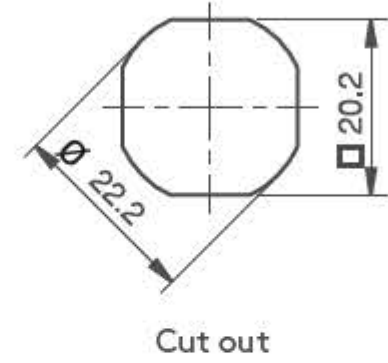
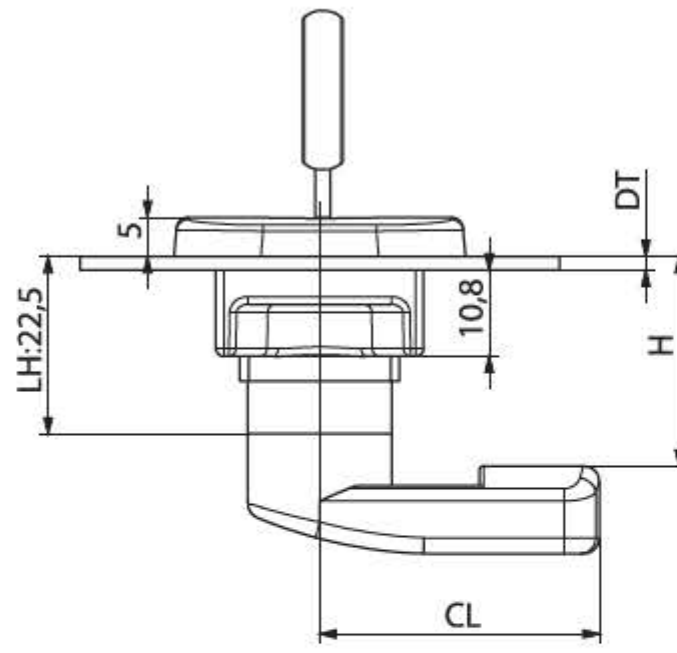




- Easy assembly by plastic clips
- Applicable on different panel thicknesses
- Various driver options
- Logo application upon request

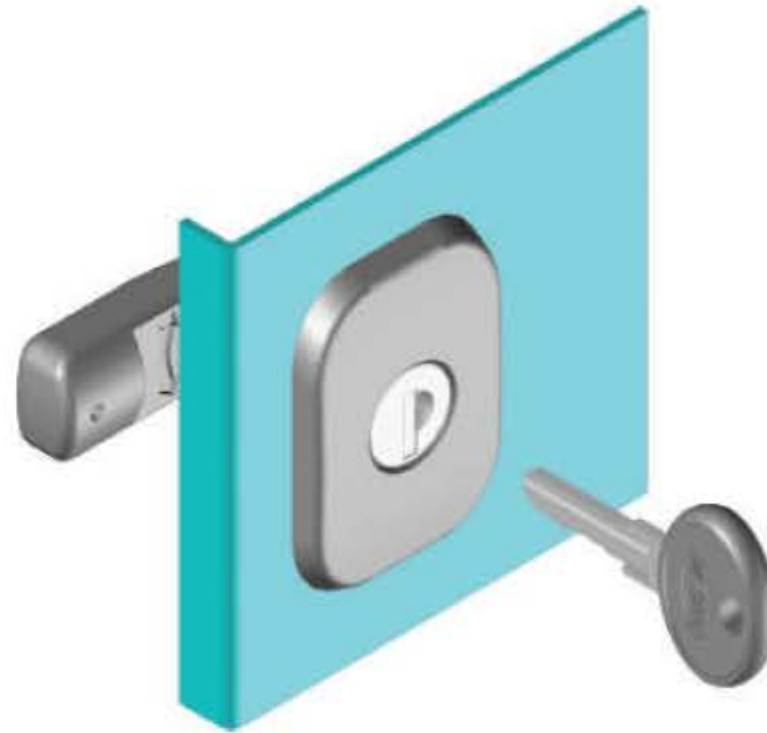
MATERIAL

HOUSING: Polyamide DIN-EN ISO 1043-1 PA6 GFR 30
 CYLINDER: Zamak DIN-EN 1774-ZnAl4Cu11
 CAM: Plastic or steel



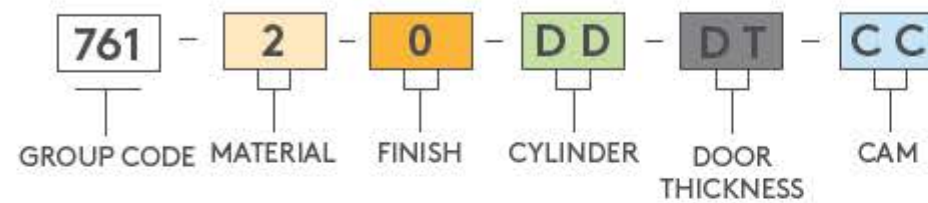
 320.02.221
 BOLT COVER (For grounding)

- Can order separately (only for plastic cams)



SPECIFICATIONS	DT
1.2 -1.8 mm panel thickness	12
1.8 -2.3 mm panel thickness	23

PRODUCT CODE



CYLINDER	SPECIFICATIONS	DD
	Keyed alike (Stainless steel dust cap)	03
	Keyed differ (Stainless steel dust cap)	32
	Master System	04
	Euro key (5333)	05
	CH751 (Stainless steel dust cap)	07

