

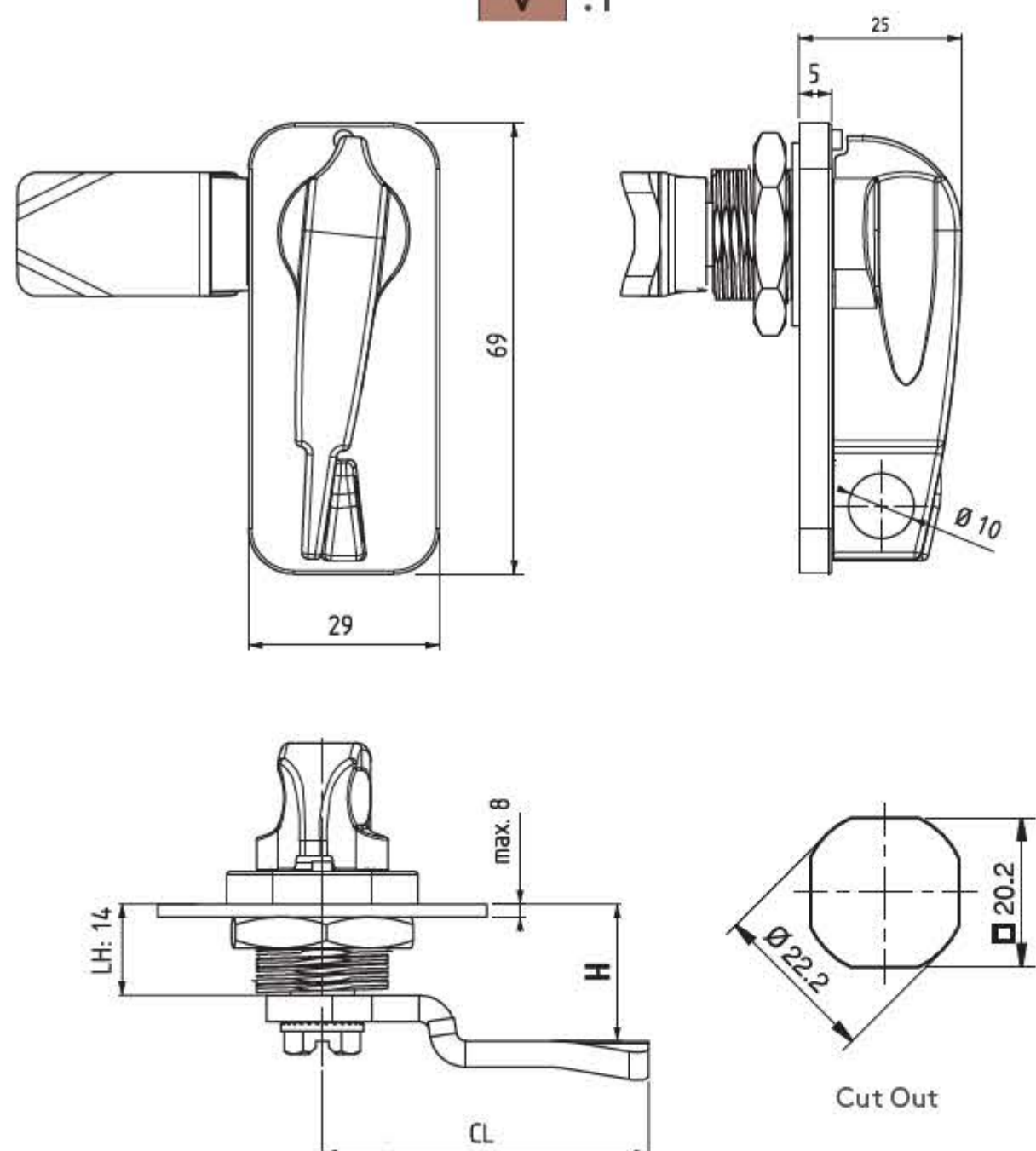
QUARTER TURN-PADLOCKABLE

662

V :1



- 
- RH**
- LH**
- RoHS**
- 
- 
- IP 65**



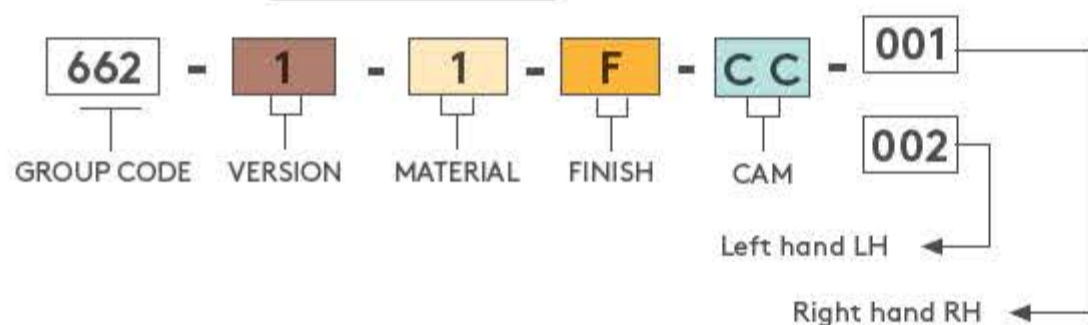
- Padlockable version
- Standard cams without stopper required for these locks
- Maximum shackle diameter 8 mm

**MATERIAL**  
 HOUSING: Zamak DIN-EN 1774-ZnAl4Cu1  
 KNOB: Zamak DIN-EN 1774-ZnAl4Cu1  
 CAM: Steel

**FINISH**  
 Chrome or Black coated)



PRODUCT CODE



MATERIAL	M	FINISH	F
Zamak	1	Chrome	1
		Black coated	2

V :2

662

QUARTER TURN-PADLOCKABLE

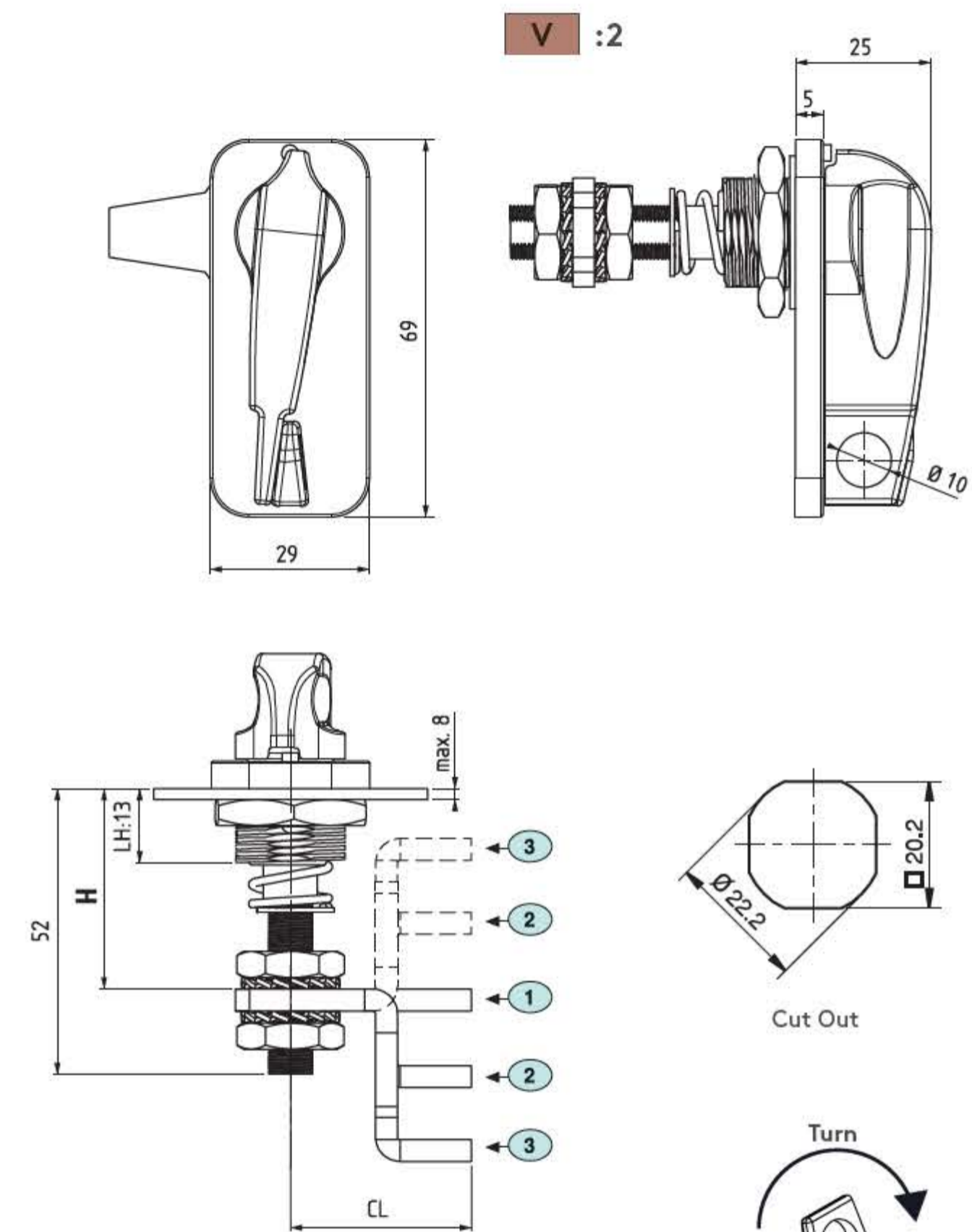


- 
- LH/RH**
- RoHS**
- 
- 
- IP 65**

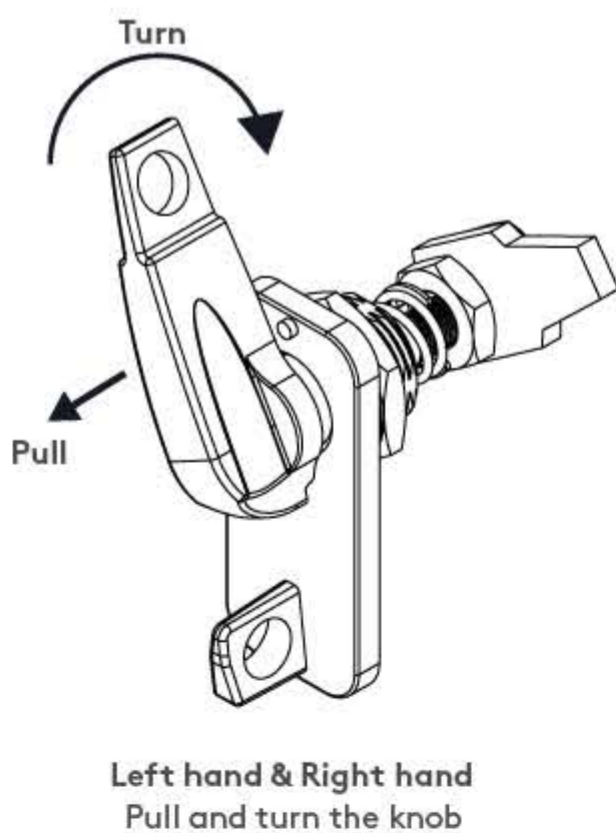
- Padlockable version
- Adjustable cam
- Three different cam alternatives available
- Maximum shackle diameter 8 mm
- Suitable for left- and right-hand applications

**MATERIAL**  
 HOUSING: Zamak DIN-EN 1774-ZnAl4Cu1  
 KNOB: Zamak DIN-EN 1774-ZnAl4Cu1  
 CAM: Steel

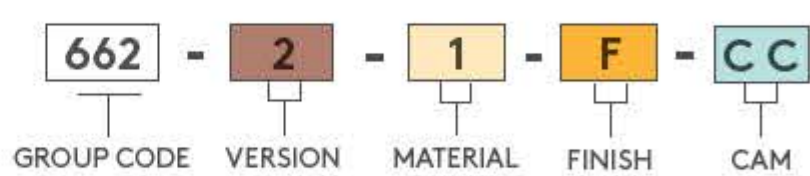
**FINISH**  
 Chrome or Black coated



KNOB	CC	CH	CL	H Grip	
				min	max
	01	0	33	41	58
	02	14	33	27	72
	03	27.5	33	13.5	85



PRODUCT CODE



MATERIAL	M	FINISH	F
Zamak	1	Chrome	1
		Black coated	2

