

QUARTER TURN - EASY FIXING

661

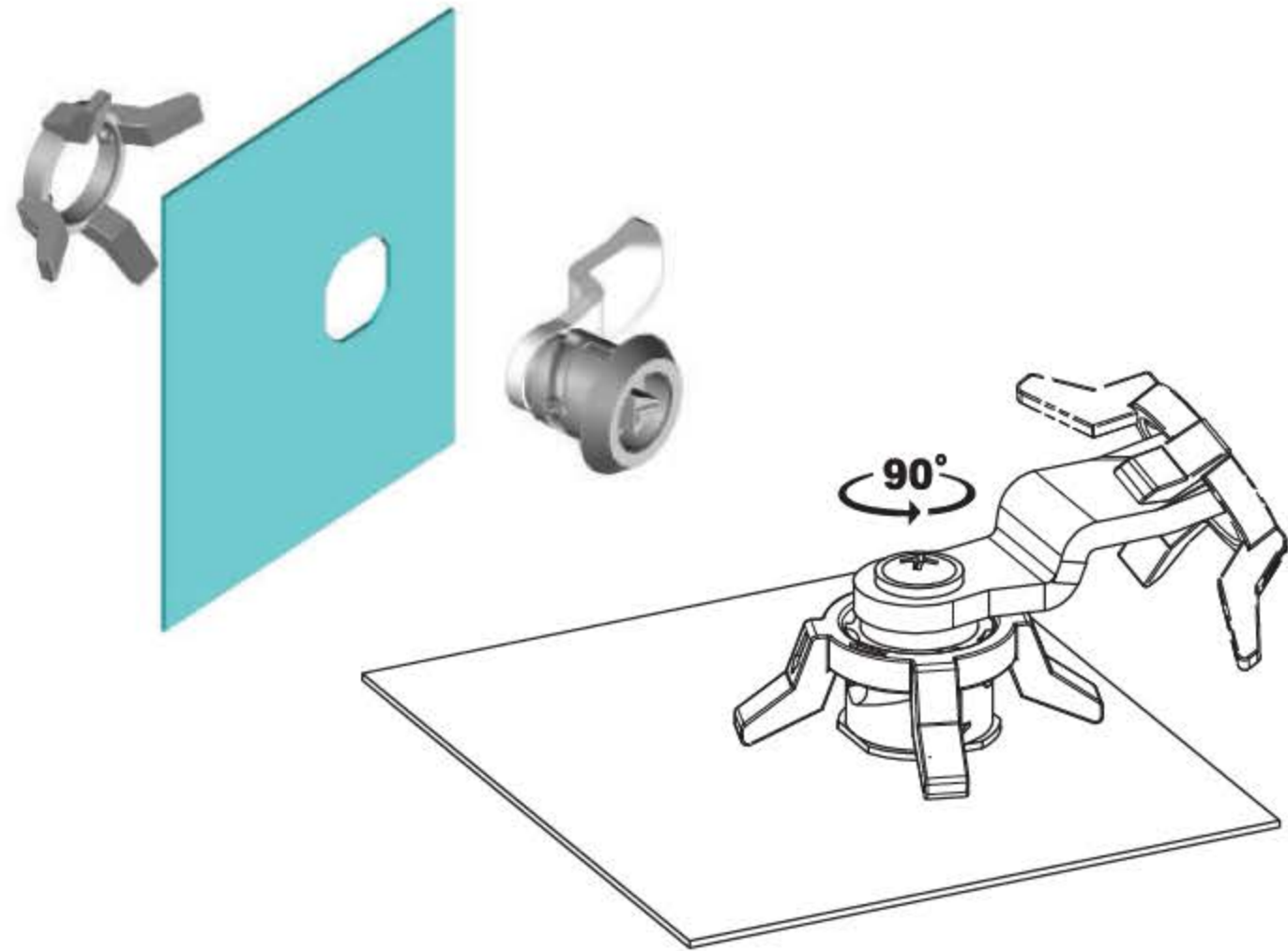
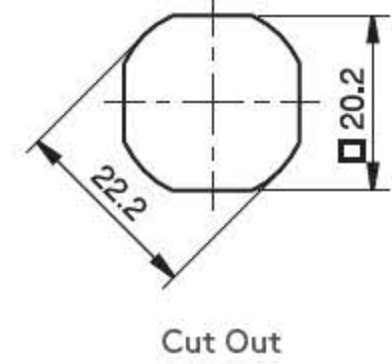
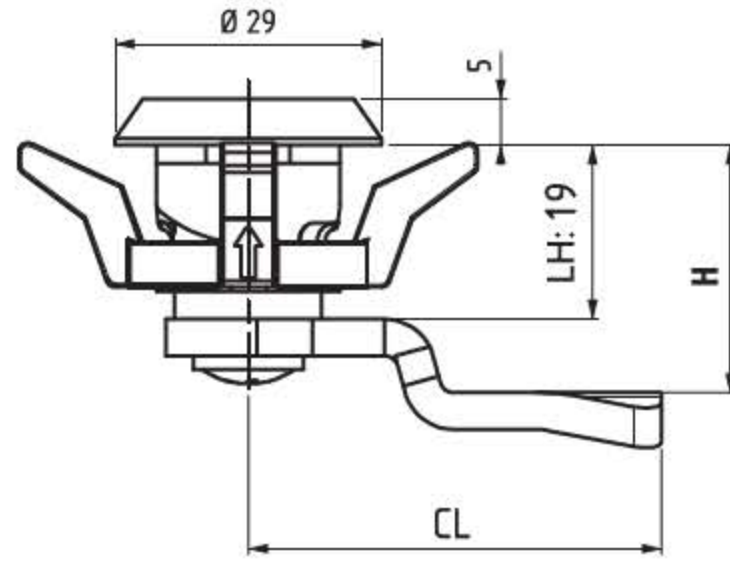
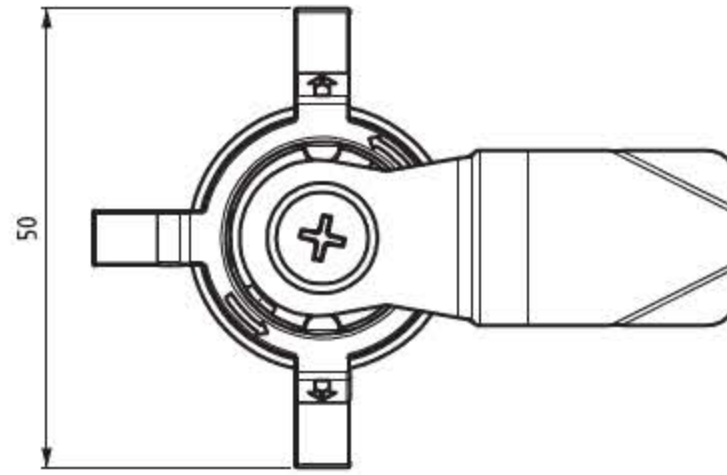


- RoHS
- IP 66
- LIR

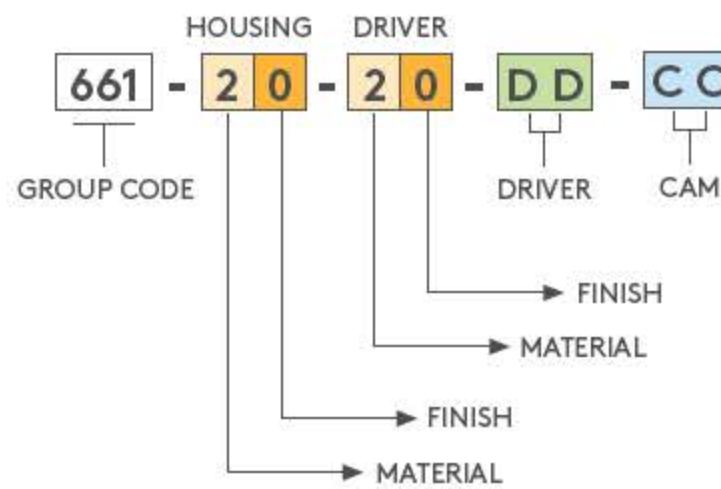
- Easy assembly - without tools
- Standard cut out
- 2.0 mm maximum panel thickness

MATERIAL
 HOUSING: Polyamide DIN-EN ISO 1043-1 PA6 GFR 30
 DRIVER: PA6 GFR 30
 CAM: Steel

DRIVERS	
5 mm Double bit	
DD	
15	
8 mm Square	
DD	
28	
9 mm Triangular	
DD	
39	



PRODUCT CODE



MATERIAL	M	FINISH	F
Plastic	2	No finish	0

