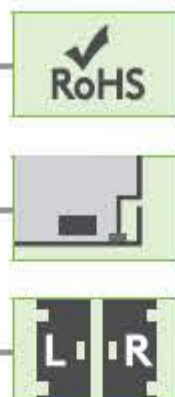


HVAC LOCK 'T' HANDLE

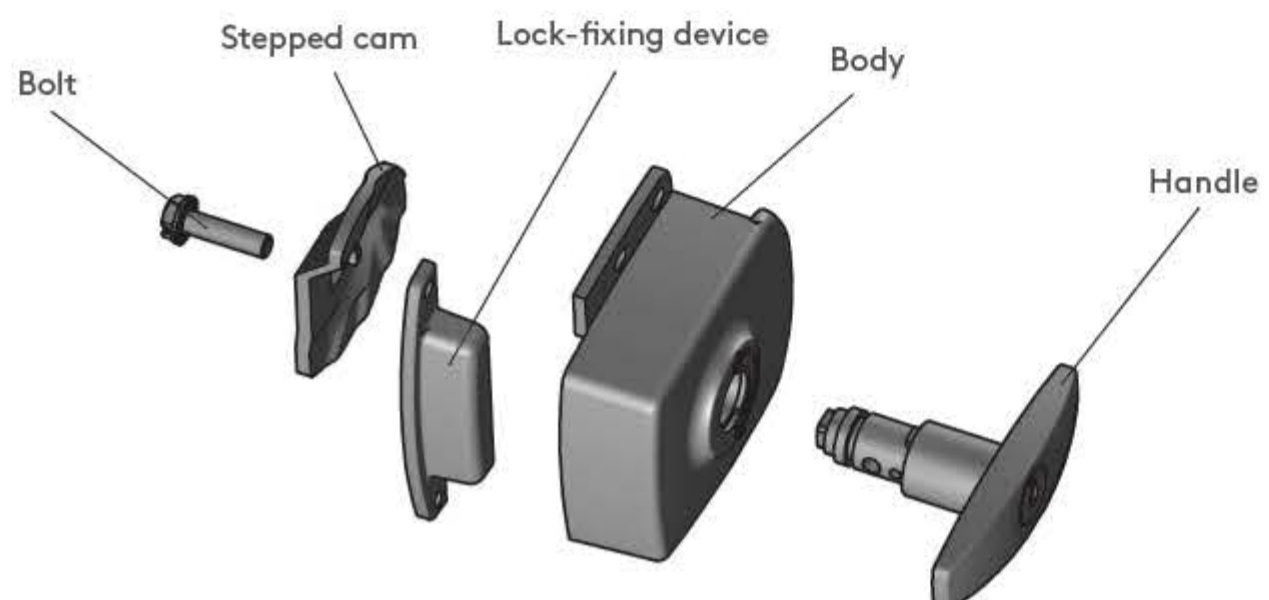
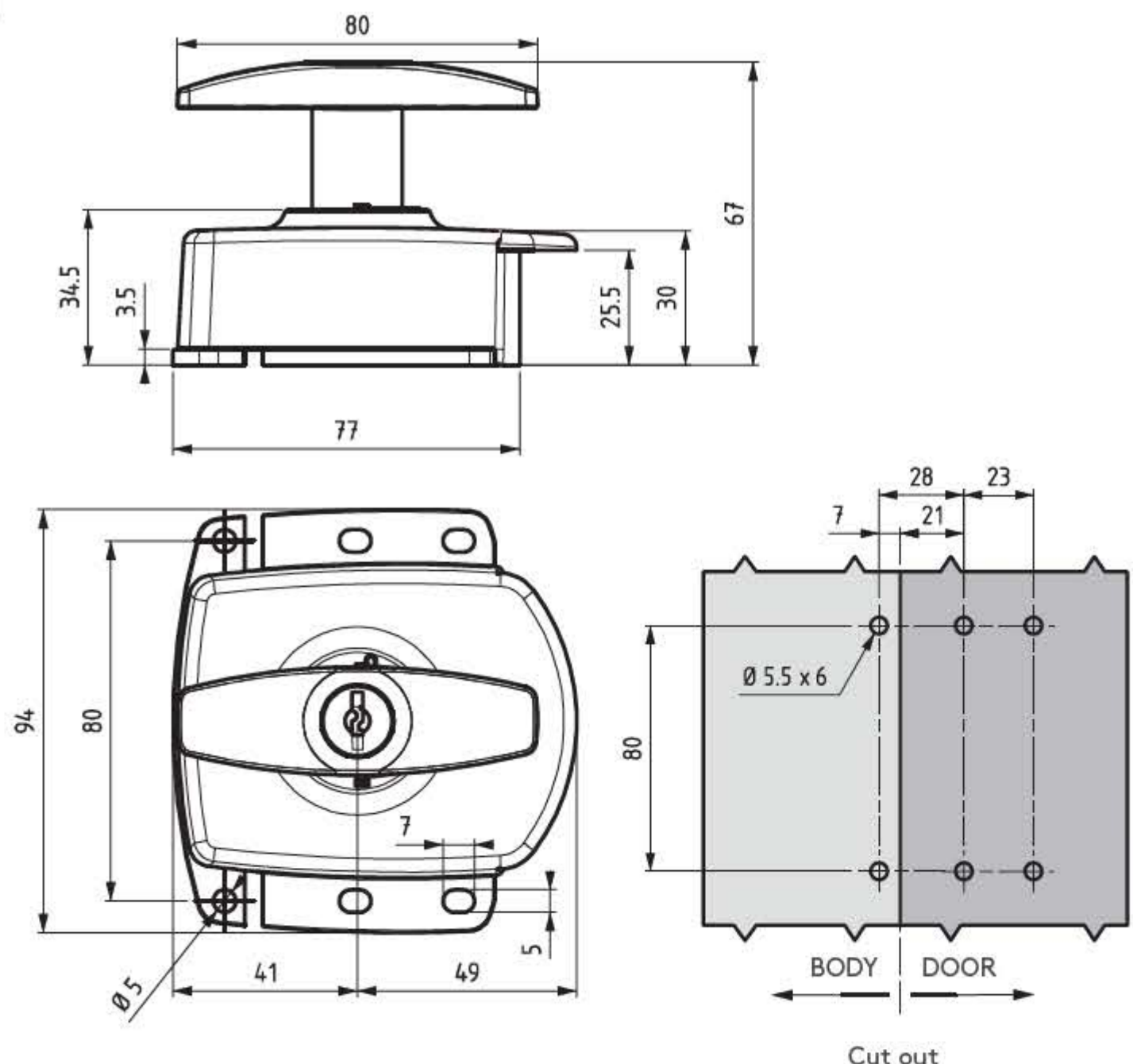
612



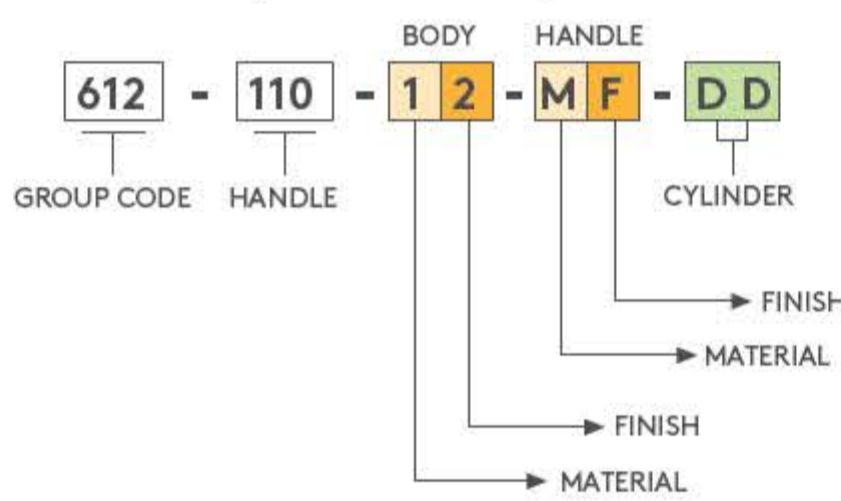
• Outside locking system provides safety for pressurised doors

MATERIAL

BODY: Zamak DIN-EN 1774-ZnAl4Cu1
HANDLE: Zamak DIN-EN 1774-ZnAl4C or PA6 GFR 30



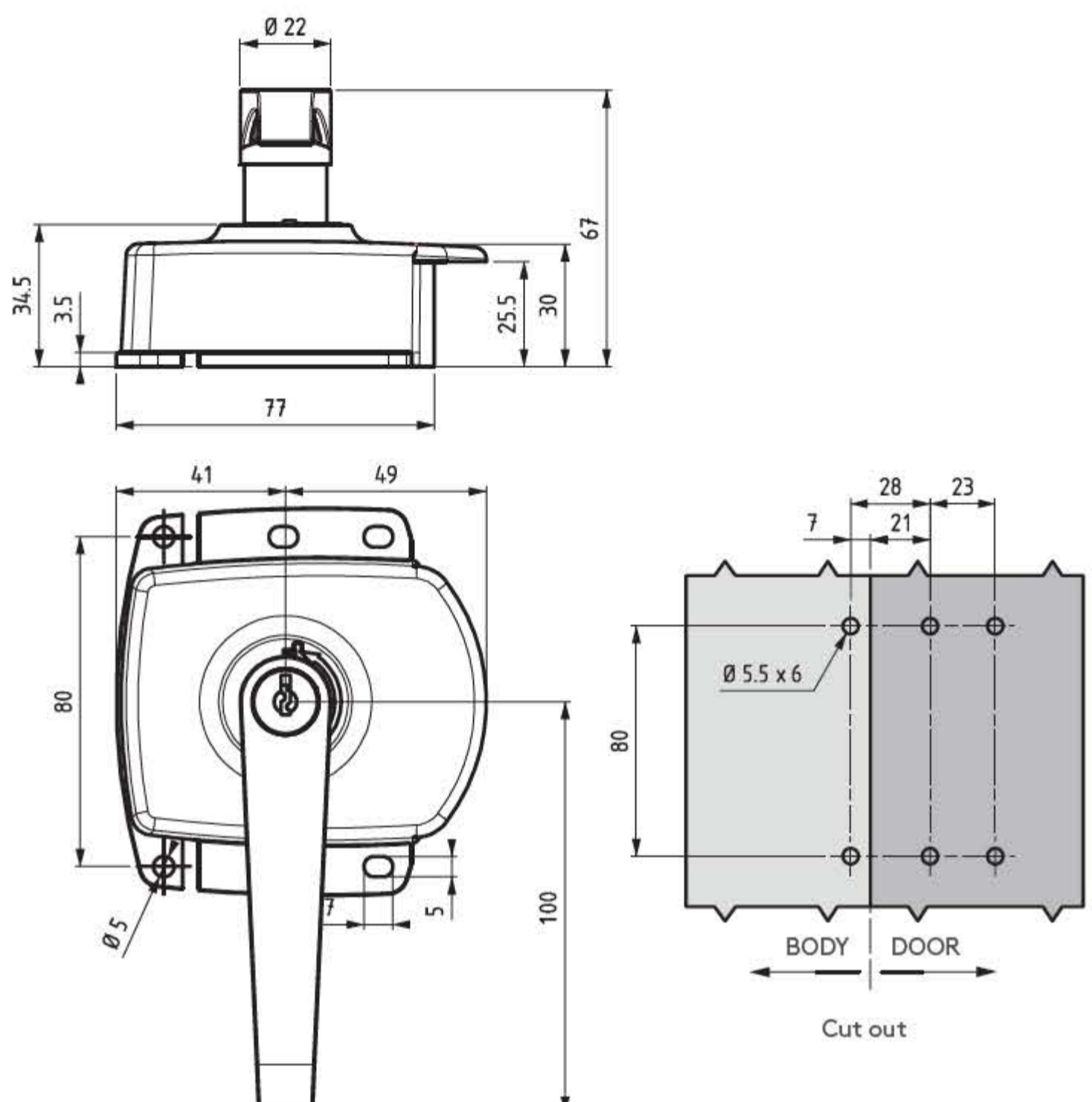
PRODUCT CODE



MATERIAL	M
Zamak	1
Plastic	2

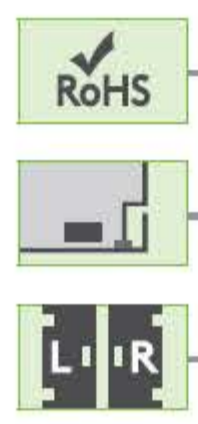
FINISH	F
No Finish	0
Chrome	1
Black coated	2

CYLINDER	SPECIFICATIONS	DD
	No cylinder	00
	Stainless steel dust cap (Keyed alike)	03
	Stainless steel dust cap (Keyed differ)	32
	Euro key (5333)	05
	CH751 (Stainless steel dust cap)	07



612

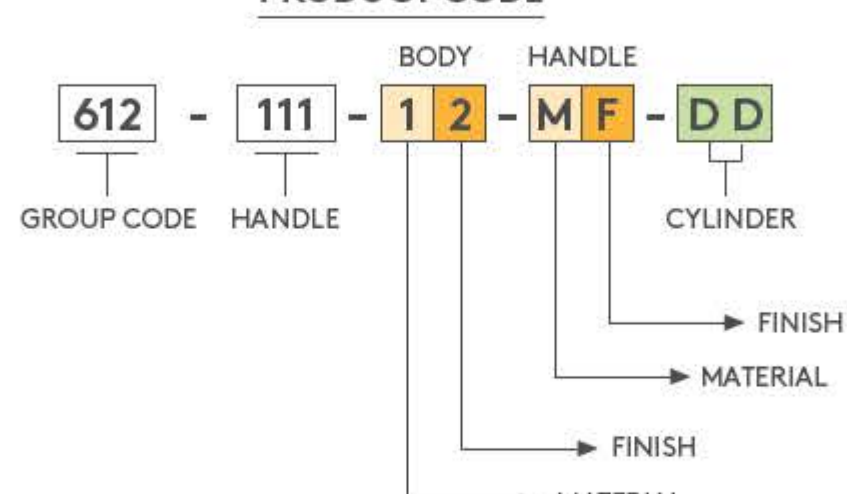
HVAC LOCK 'L' HANDLE



• Outside locking system provides safety for pressurised doors

BODY: Zamak DIN-EN 1774-ZnAl4Cu1
HANDLE: Zamak DIN-EN 1774-ZnAl4C or PA6 GFR 30

PRODUCT CODE



MATERIAL	M
Zamak	1
Plastic	2

FINISH	F
No Finish	0
Chrome	1
Black coated	2

CYLINDER	SPECIFICATIONS	DD
	No cylinder	00
	Stainless steel dust cap (Keyed alike)	03
	Stainless steel dust cap (Keyed differ)	32
	Euro key (5333)	05
	CH751 (Stainless steel dust cap)	07