

SHORT HOUSING

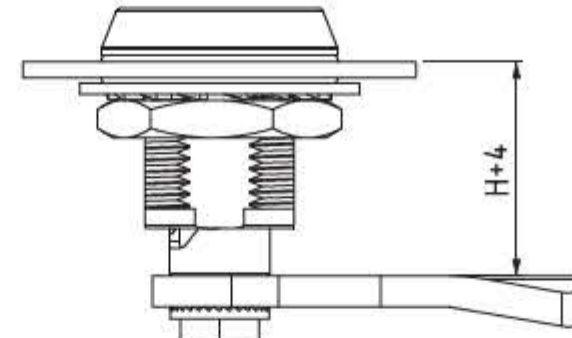
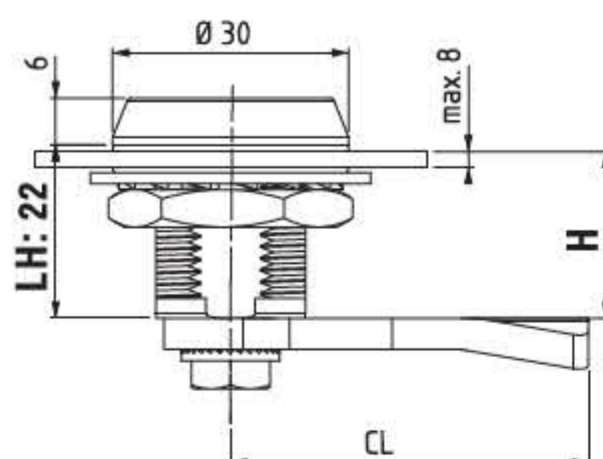


- RoHS
- IP 65
- L
- R

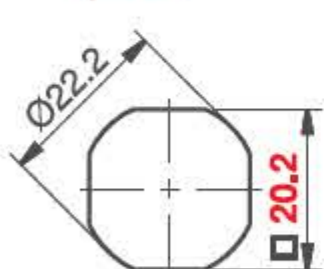
- Used for cabinets that require better sealing under vibrating conditions
- Provides 4 mm of compression
- Provides noise isolation
- Different drivers/cams available
- Standard cams without stopper required for these locks
- The lock has been tested according to the DIN EN 61373 Category 1-B for vibration and shock.
- Working Temperature Range: -50/+80 C
- M22 Nut : should be fixed with 60 Nm
- M10 Nut: should be fixed with 10 Nm
- Threadlocker is applied to the nut threads to get extra fastness against vibration and shock
- Max load capacity: 562 N

**MATERIAL**

HOUSING: Stainless Steel (AISI 316)  
 DRIVER: Stainless Steel (AISI 316)  
 CAM: Stainless Steel (AISI 304)  
 NUT: Stainless Steel (AISI 304)

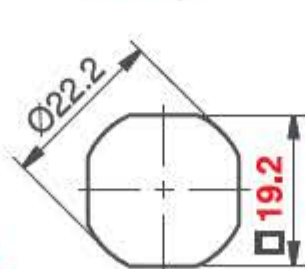


V :1



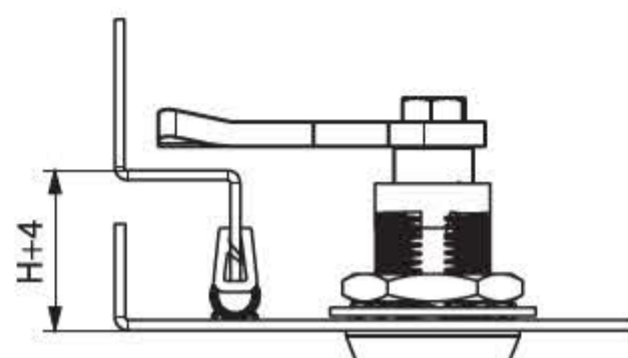
Standard Cut Out

V :3

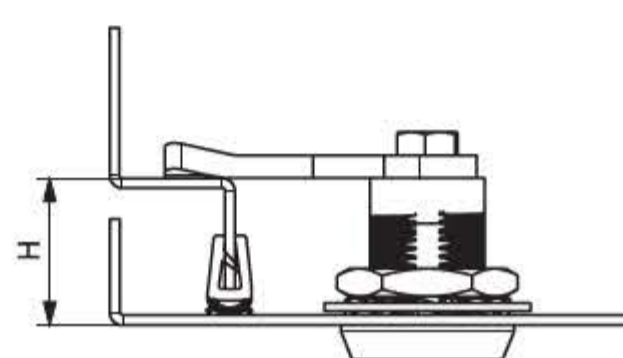


Special Cut Out

Attention



The first 90° of key rotation turns the cam to locking position

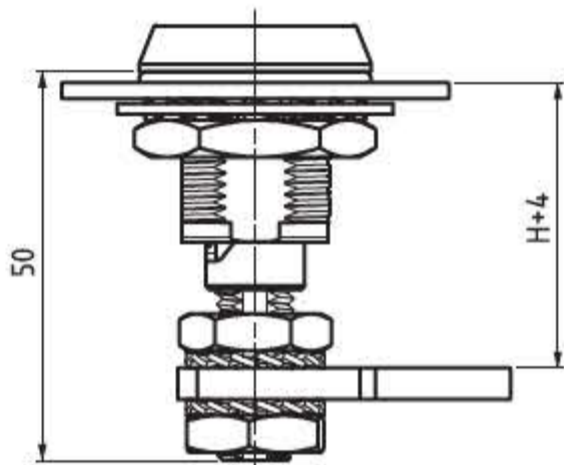
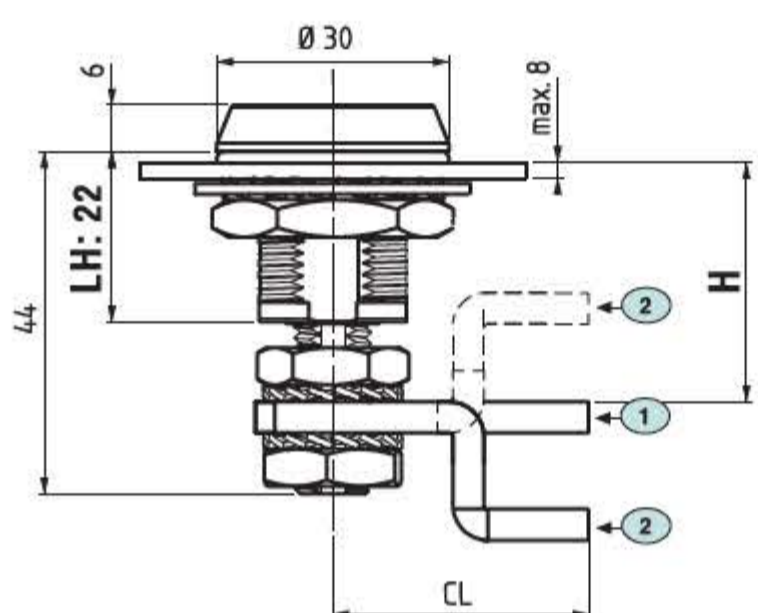
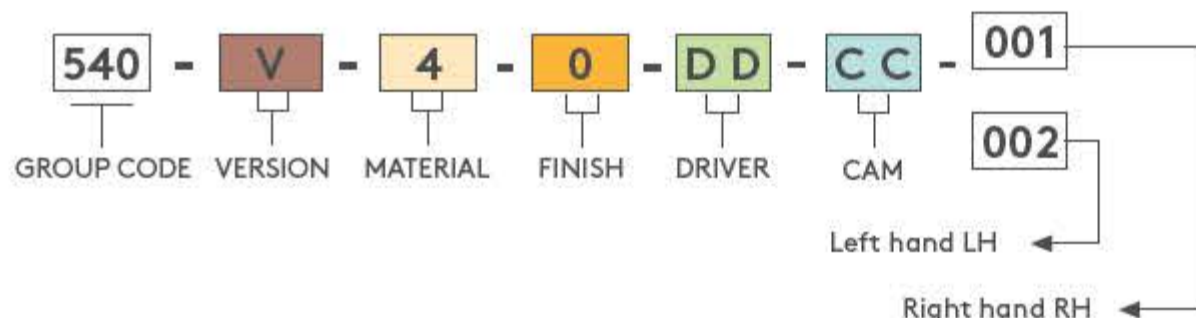


Further key rotation 180° applies 4 mm compression

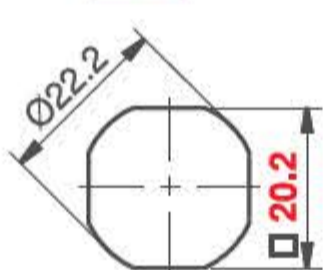
**DRIVERS**

3 mm Double bit		5 mm Double bit		Railway		8 mm Square		2X4 mm Slot	
DD		DD		DD		DD		DD	
13		15		88		28		42	
7 mm Triangular		8 mm Triangular							
DD		DD							
37		38							

**PRODUCT CODE**

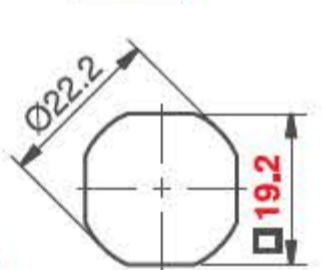


V :2



Standard Cut Out

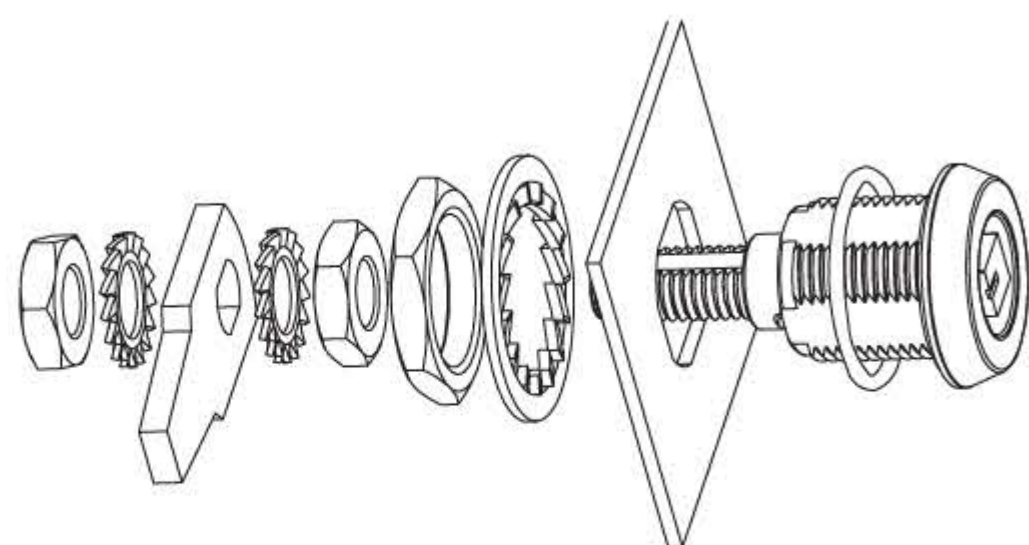
V :4



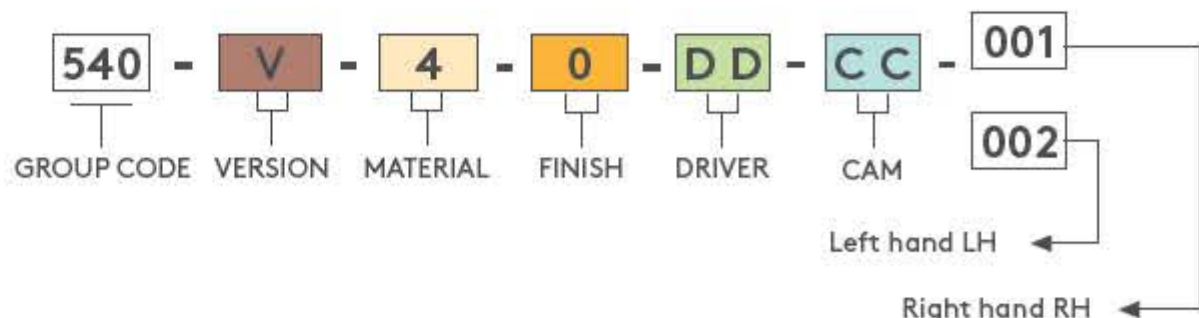
Special Cut Out

Attention

CAM	CC	CH	CL	H GRIP MIN	H GRIP MAX
1	01	0	33	28	38
2	02	14	33	14	52



**PRODUCT CODE**



SHORT HOUSING



- RoHS
- IP 65
- L
- R

- Used for cabinets that require better sealing under vibrating conditions
- 4 mm of compression
- Wide grip range with adjustable screw
- Noise isolation
- Different drivers/cams available
- Three different cam alternatives available
- The lock has been tested according to the DIN EN 61373 Category 1-B for vibration and shock.
- Working Temperature Range: -50/+80 C
- M22 Nut : should be fixed with 60 Nm
- M10 Nut: should be fixed with 10 Nm
- Threadlocker is applied to the nut threads to get extra fastness against vibration and shock
- Max load capacity: 562 N

**MATERIAL**

HOUSING: Stainless Steel (AISI 316)  
 DRIVER: Stainless Steel (AISI 316)  
 CAM: Stainless Steel (AISI 304)  
 NUT: Stainless Steel (AISI 304)

