

HYGIENIC COMPRESSION LOCK

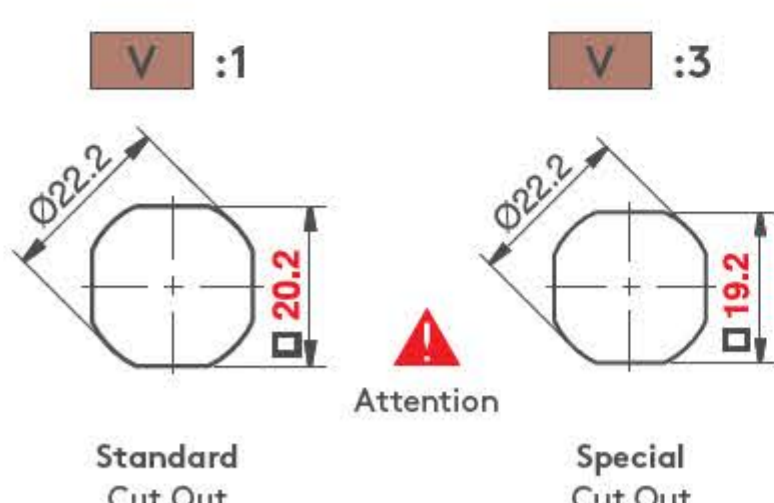
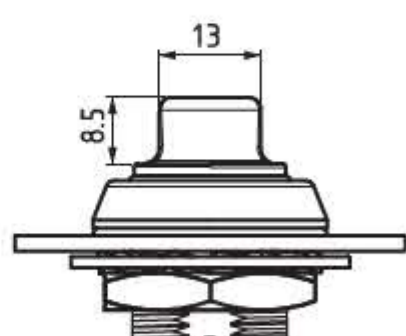
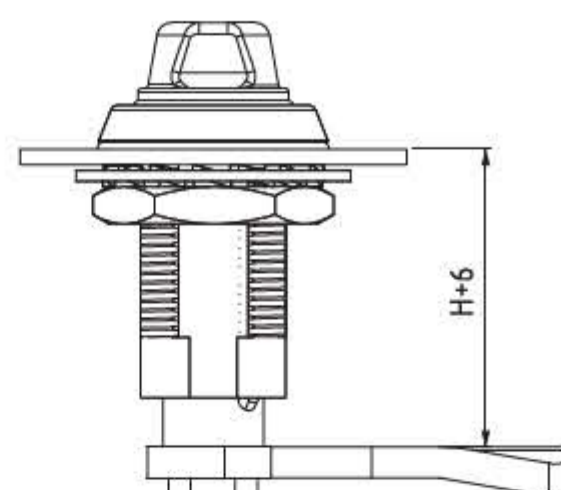
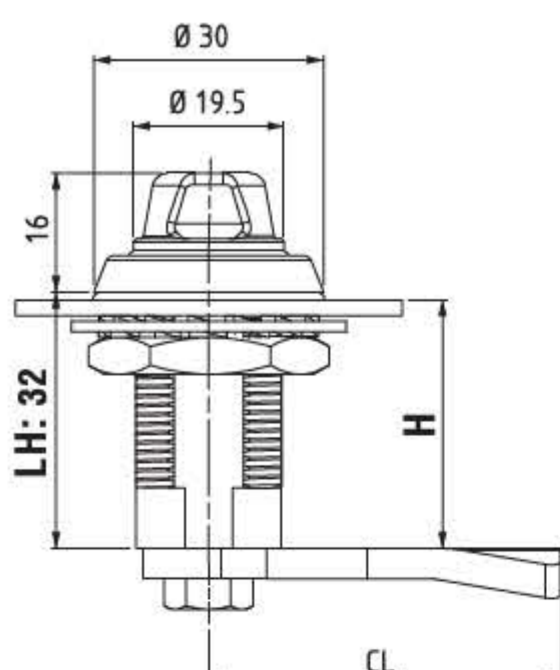
440



- RoHS
- IP69K
- ANTI-BACTERIAL
-
-
-
-

- Dirt resistant and easy to clean
- Specially designed for hygiene requirements
- Used for cabinets that require better sealing under vibrating conditions
- 6 mm of compression
- Noise isolation
- Different drivers/cams available
- The lock has been tested according to the DIN EN 61373 Category 1-B for vibration and shock.
- The lock has been tested according to the GS-NV 6:2015/12 for hygiene requirements
- Working Temperature Range: -50/+80 C
- M22 Nut : should be fixed with 60 Nm
- M10 Nut: should be fixed with 10 Nm
- Threadlocker is applied to the nut threads to get extra fastness against vibration and shock
- Max load capacity: 562 N

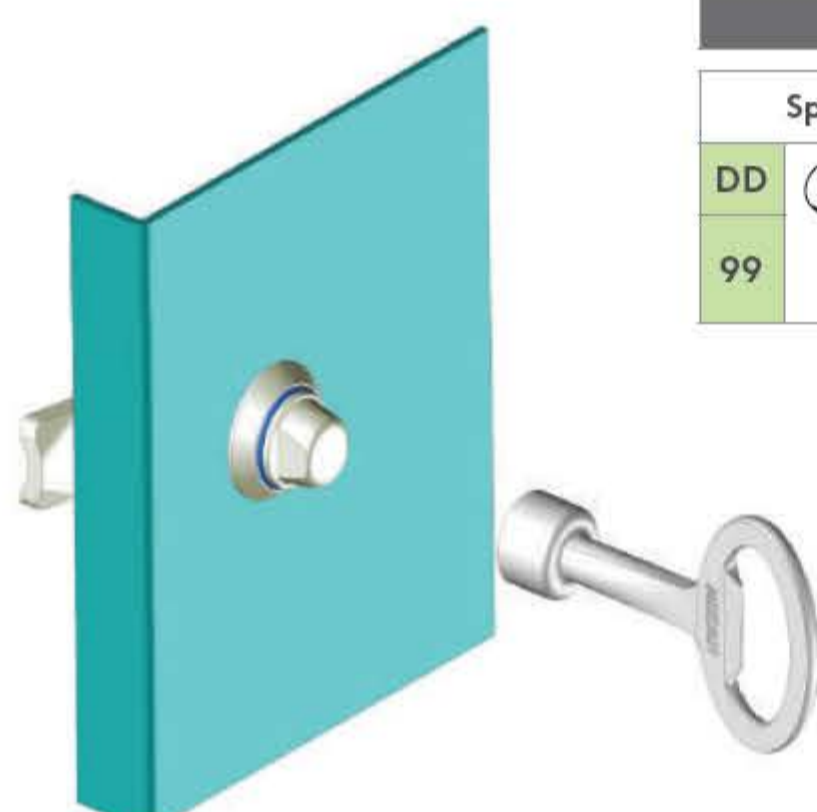
MATERIAL
 HOUSING: Stainless Steel (AISI 316)
 DRIVER: Stainless Steel (AISI 316)
 CAM: Stainless Steel (AISI 304)
 NUT: Stainless Steel (AISI 304)
 ORING: Silicone



Standard Cut Out

Special Cut Out

Attention



DRIVERS	
Special	8 mm Square
DD	DD
99	28

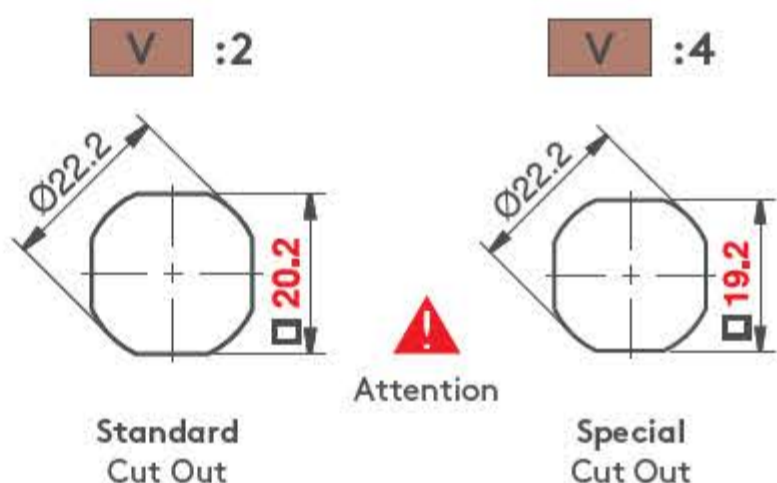
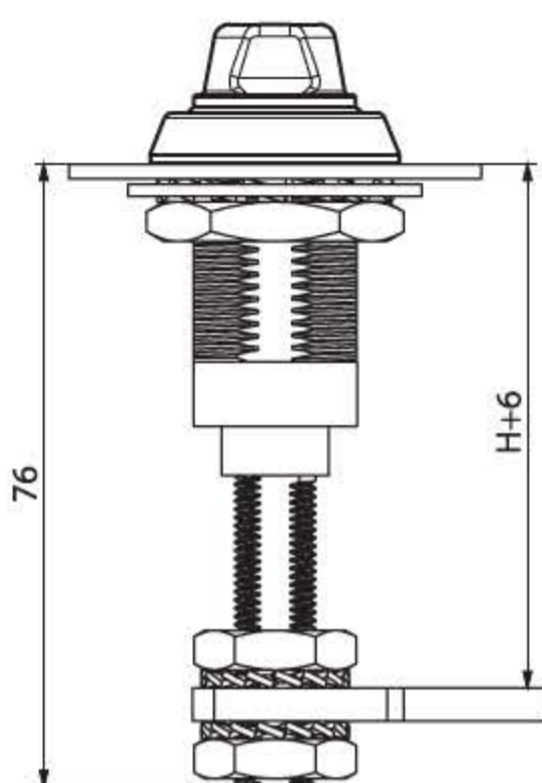
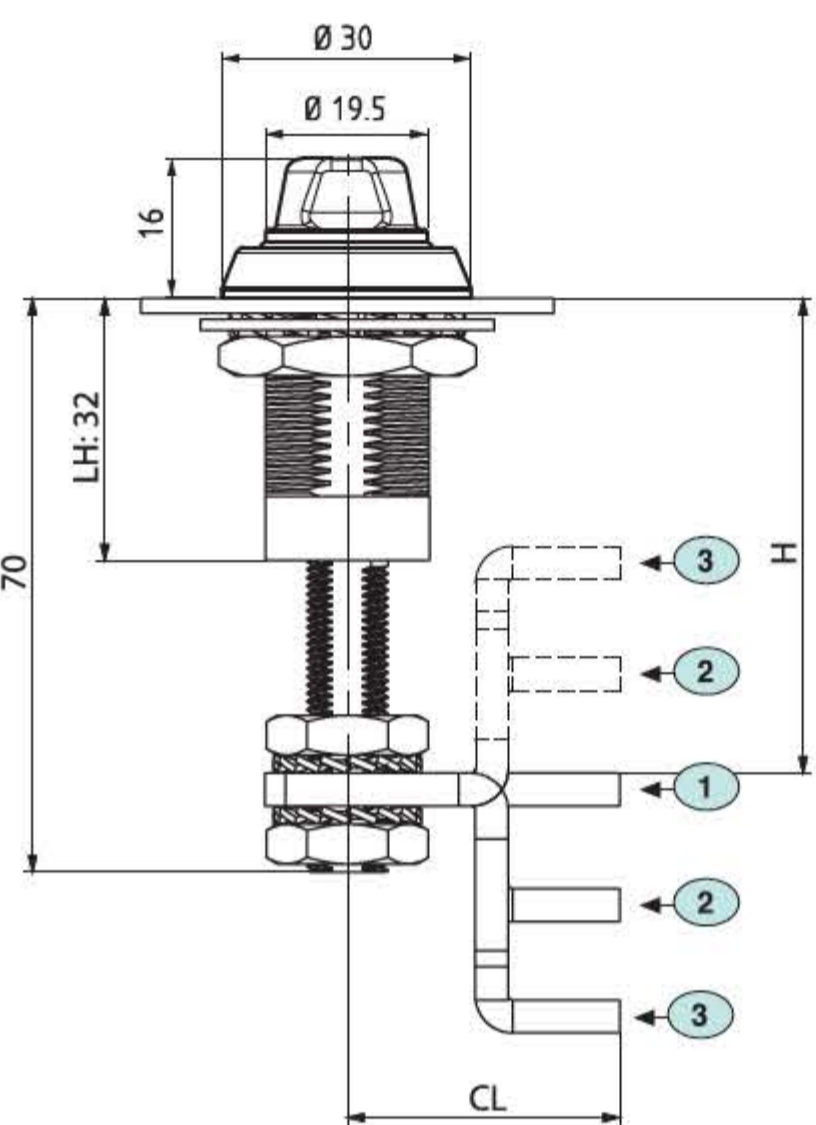
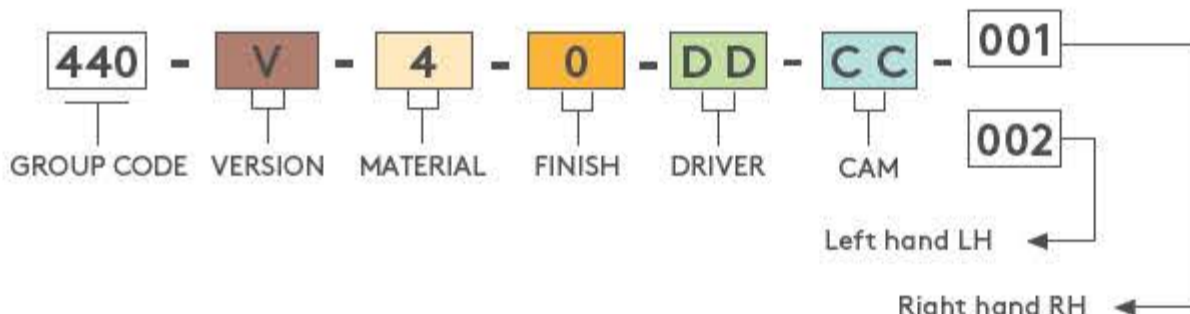
METAL KEY

368-94



MATERIAL & FINISH
 Zamak DIN-EN 1774-ZnAl4Cu1
 Chrome plated

PRODUCT CODE



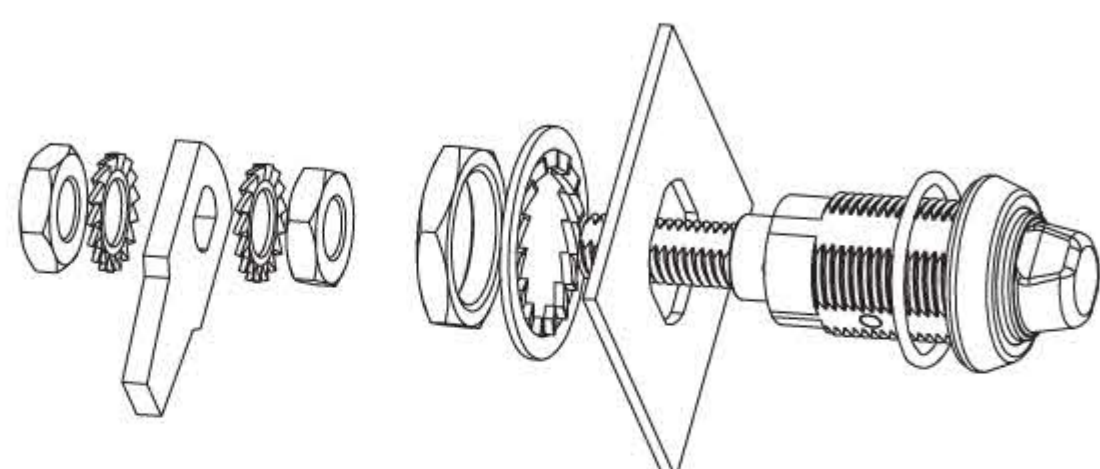
Standard Cut Out

Special Cut Out

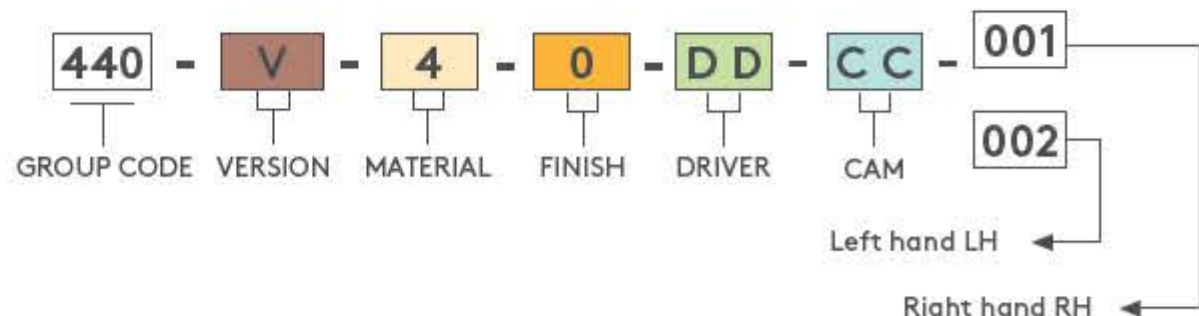
Attention

CAM	CC	CH	CL	POSITION	H: GRIP	
					MIN	MAX
1	01	0	33	Flat	41	58
2	02	14	33	Up	27	44
				Down	55	72
3	03	27,5	33	Up	13,5	30,5
				Down	68	85

DRIVERS	
Special	8 mm Square
DD	DD
99	28



PRODUCT CODE



440

HYGIENIC COMPRESSION LOCK



- RoHS
- IP69K
- ANTI-BACTERIAL
-
-
-
-

- Dirt resistant and easy to clean
- Specially designed for hygiene requirements
- Used for cabinets that require better sealing under vibrating conditions
- 6 mm of compression
- Wide grip range with adjustable screw
- Noise isolation
- Different drivers/cams available
- Three different cam alternatives available
- The lock has been tested according to the DIN EN 61373 Category 1-B for vibration and shock.
- The lock has been tested according to the GS-NV 6:2015/12 for hygiene requirements
- Working Temperature Range: -50/+80 C
- M22 Nut : should be fixed with 60 Nm
- M10 Nut: should be fixed with 10 Nm
- Threadlocker is applied to the nut threads to get extra fastness against vibration and shock
- Max load capacity: 562 N

MATERIAL
 HOUSING: Stainless Steel (AISI 316)
 DRIVER: Stainless Steel (AISI 316)
 CAM: Stainless Steel (AISI 304)
 NUT: Stainless Steel (AISI 304)
 ORING: Silicone

