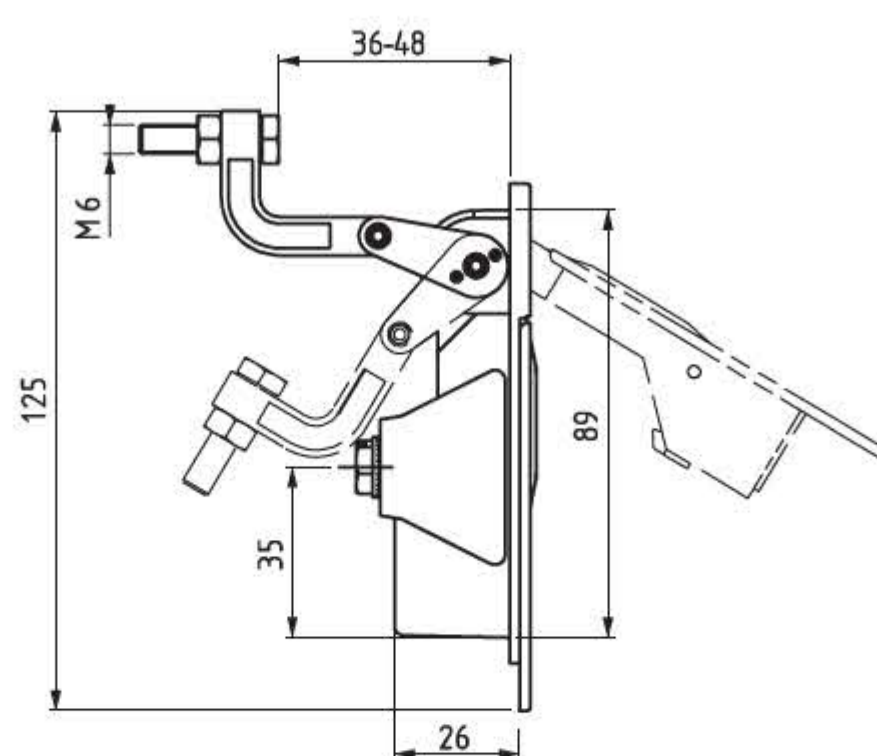
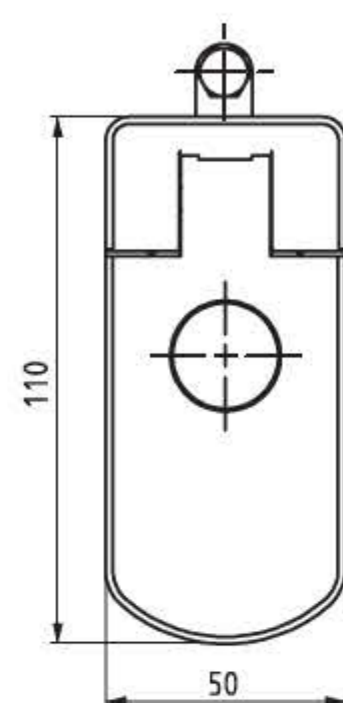
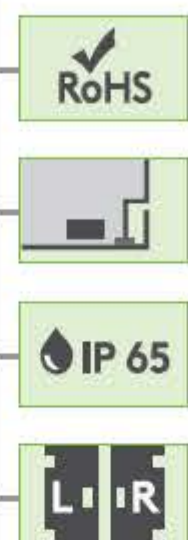


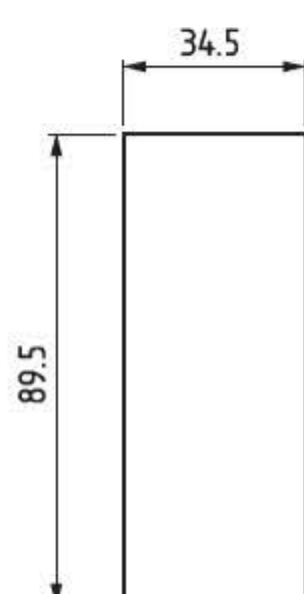
V :1



Driver System

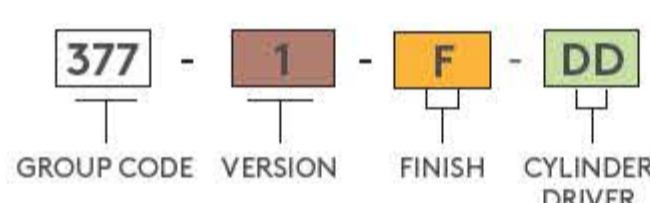


No Cylinder



Cut out

PRODUCT CODE



FINISH	F
Chrome	1
Black coated	2

CYLINDER	DD	DRIVER	DD
No cylinder	00	Slot	42
Stainless steel dust cap (Keyed alike)	03		
Stainless steel dust cap (Keyed differ)	32		
Euro Key	05		
CH751 (Stainless steel dust cap)	07		

- Available with or without cylinder
- Adjustable between 36 mm – 48 mm grip
- Suitable for maximum 2 mm door thickness
- Assemble by only one bracket

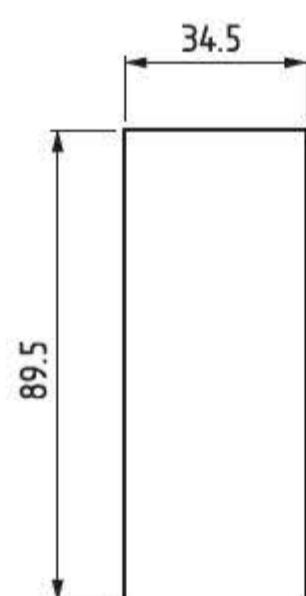
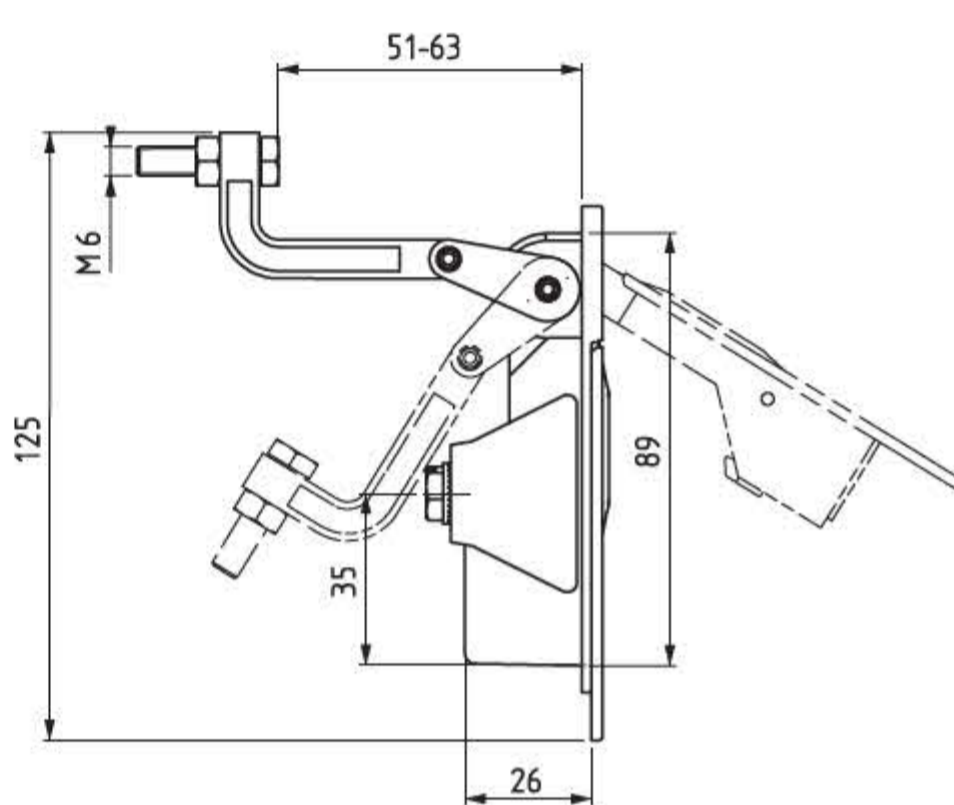
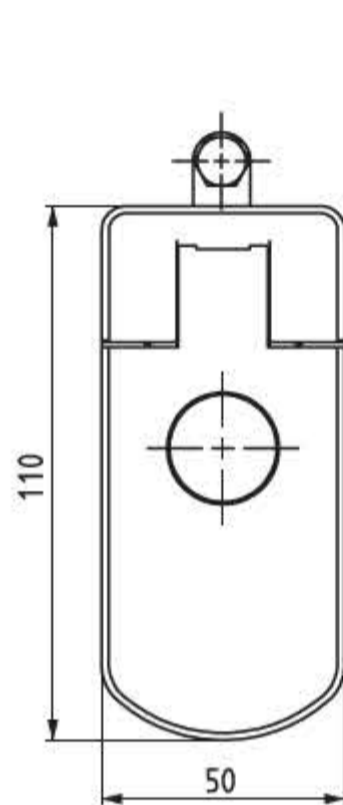
APPLICATIONS

Generators, compressors, electric panels, machinery covers

MATERIAL

BODY: Zamak DIN-EN 1774-ZnAl4Cu1
 HANDLE: Zamak DIN-EN 1774-ZnAl4Cu1
 FIXING BRACKET: Steel

V :2



Cut out



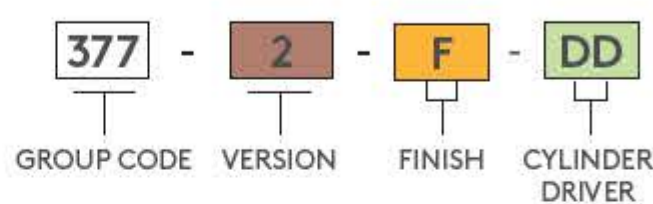
Driver System



No Cylinder



PRODUCT CODE



FINISH	F
Chrome	1
Black coated	2

CYLINDER	DD	DRIVER	DD
No cylinder	00	Slot	42
Stainless steel dust cap (Keyed alike)	03		
Stainless steel dust cap (Keyed differ)	32		
Euro Key	05		
CH751 (Stainless steel dust cap)	07		

- Available with or without cylinder
- Adjustable between 51 mm – 63 mm grip
- Suitable for maximum 2 mm door thickness
- Assemble by only one bracket

APPLICATIONS

Generators, compressors, electric panels, machinery covers

MATERIAL

BODY: Zamak DIN-EN 1774-ZnAl4Cu1
 HANDLE: Zamak DIN-EN 1774-ZnAl4Cu1
 FIXING BRACKET: Steel

