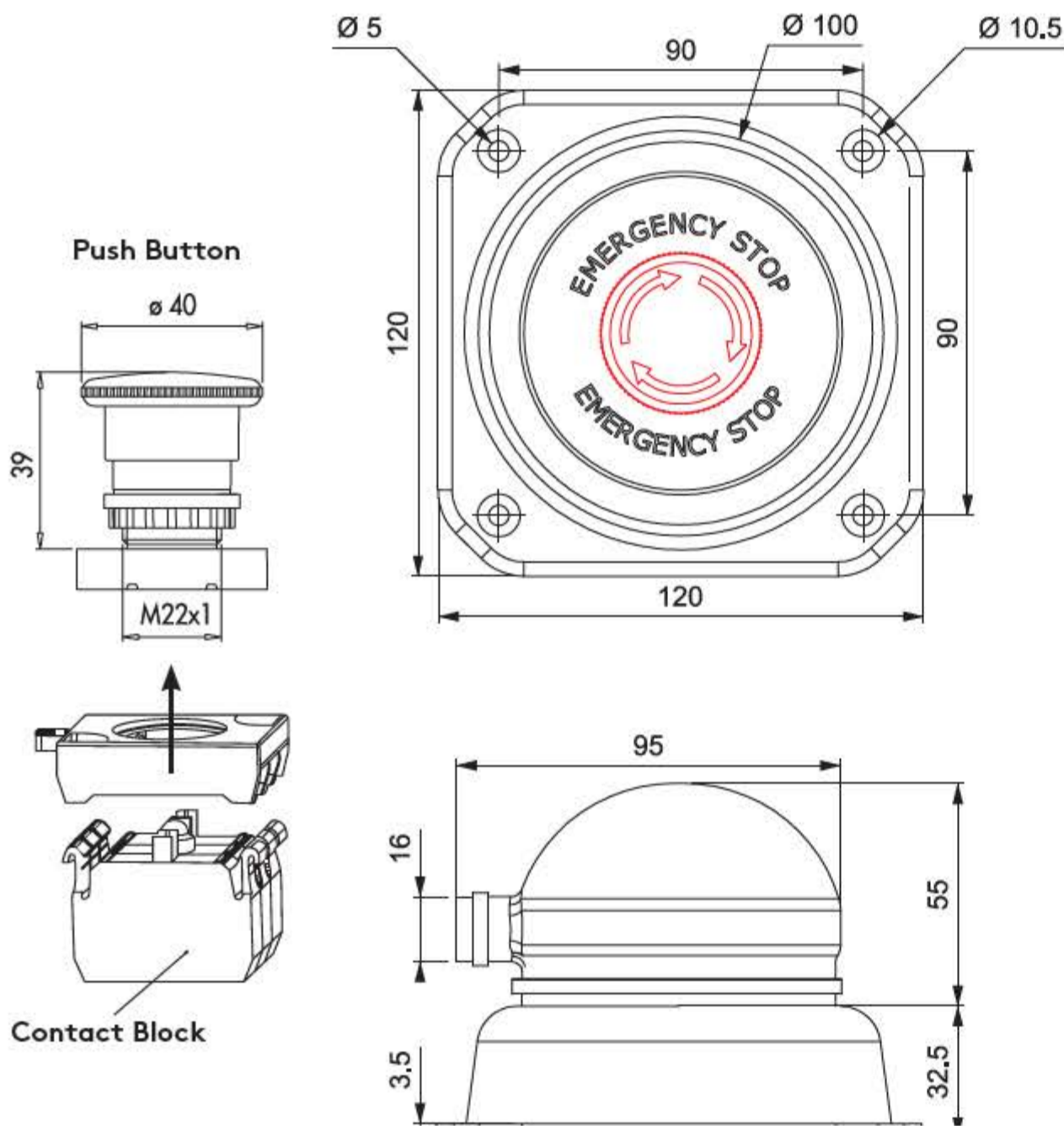


3501

EMERGENCY STOP BUTTON



IP 65



- Easy to install
- Different contact options (max. 3 contact)
- Standard wire length is 2.5 m  
Standard conduit length is 2 m

**APPLICATIONS**

Generators

**MATERIAL**

BOWL: Polyamid DIN-EN ISO 1043-1 PA6 GFR 30

PROTECTIVE COVER: PVC

GASKET: EPDM

SPIRAL CONDUIT: PA6

CABLE GLAND: PA66

**BUTTON SPECIFICATIONS**

Mechanical Life : 500.000 operations min.

Electrical Life : 100.000 operations min.

Operating Temperature : min./max. °C  
-5/+40

Protection Degree : IP65

Operating Frequency : Without load 3000

oper./hour - At full load 1200 oper./hour

Rated Operating Voltage  $U_e$  : 230 V AC

Rated Operating Current  $I_e$  : 4 A

Insulation Voltage  $U_i$  : 300 V

Stroke Resistance Voltage  $U_{imp}$  : 2.5 kV

Standard Contact Material : AgNi

Insulation Resistance : 10 MΩ min.  
(500 V DC)

Dielectrical Strength :

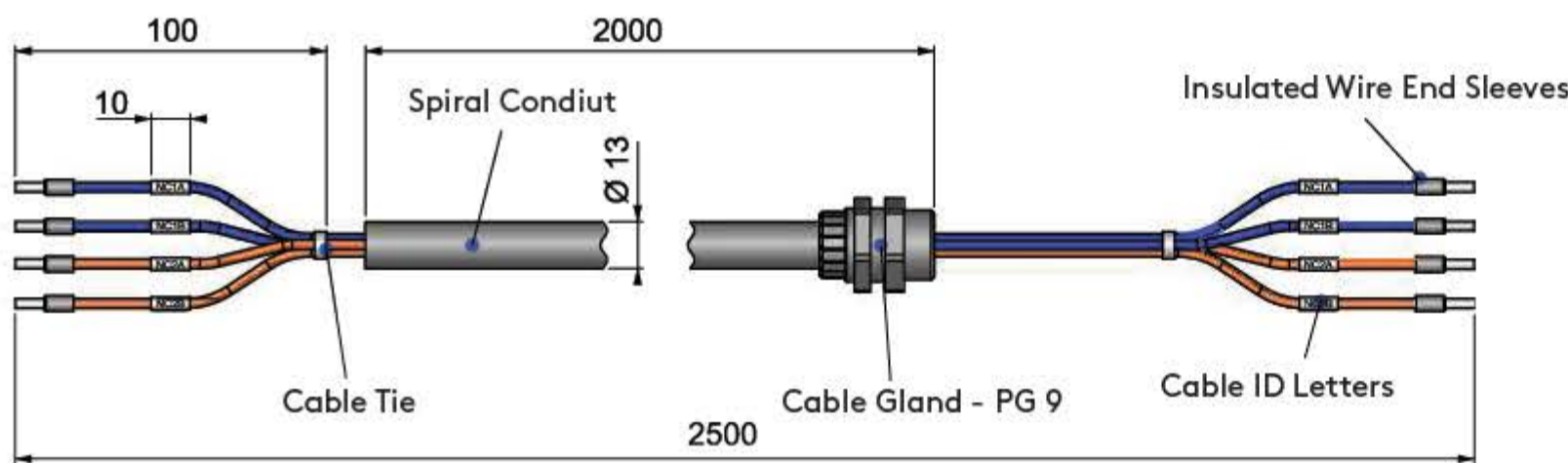
Between body-contact: 2000 V AC

Open contact : 1500 V AC

Connection Cable Cross-Section :

1.5-2.5 mm<sup>2</sup>

Standard : UL 508/TS EN 60947-5-1/  
VDE0660/IEC 60393-1



Contact Block Type		Product Code	
Normally Open	Normally Closed	LED	3501.V
-	1	-	3501.1
-	2	-	3501.2
1	1	-	3501.3
1	-	-	3501.4
2	-	-	3501.5
-	1	Fixed	3501.1.1
-	1	Flash	3501.1.2
-	2	Fixed	3501.2.1
-	2	Flash	3501.2.2
1	1	Fixed	3501.3.1
1	1	Flash	3501.3.2
1	-	Fixed	3501.4.1
1	-	Flash	3501.4.2
2	-	Fixed	3501.5.1
2	-	Flash	3501.5.2

