

- Push to Close
- Mechanical override
- Stainless steel cam and trigger
- Integrated microswitch for lock status
- Microprocessor controlled gear motor
- Compatible with access control systems

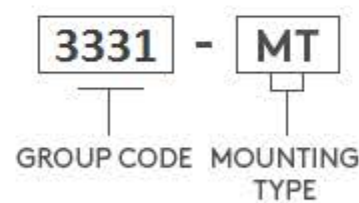
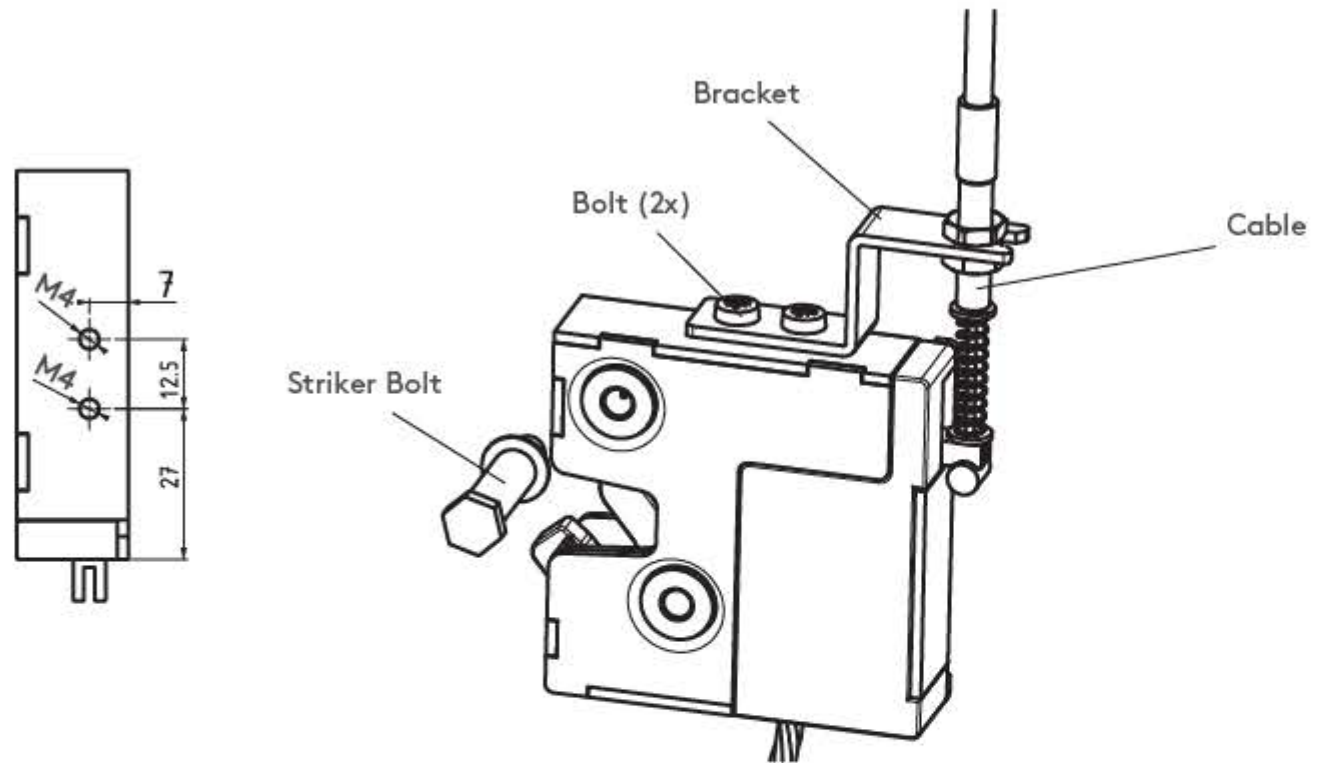
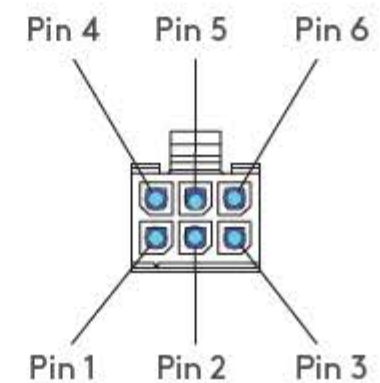
**MATERIALS**

BODY: Steel and PA6 GFR 30  
 CAM: Stainless Steel

**TECHNICAL SPECIFICATIONS**

Operating Voltage : 9 - 24 Volt  
 Cable Length : 150 mm  
 Current : Max 500 MA

PIN	COLOR	VALUE
Pin 1	Black	GND
Pin 2	Green	12 Volt DC
Pin 3	Orange	Signal
Pin 4	Red	Microswitch COM
Pin 5	Blue	Microswitch NO
Pin 6	Brown	Microswitch NC



MOUNTING TYPE	MT
Ø7,2	1
M6	2
1/4"	3

