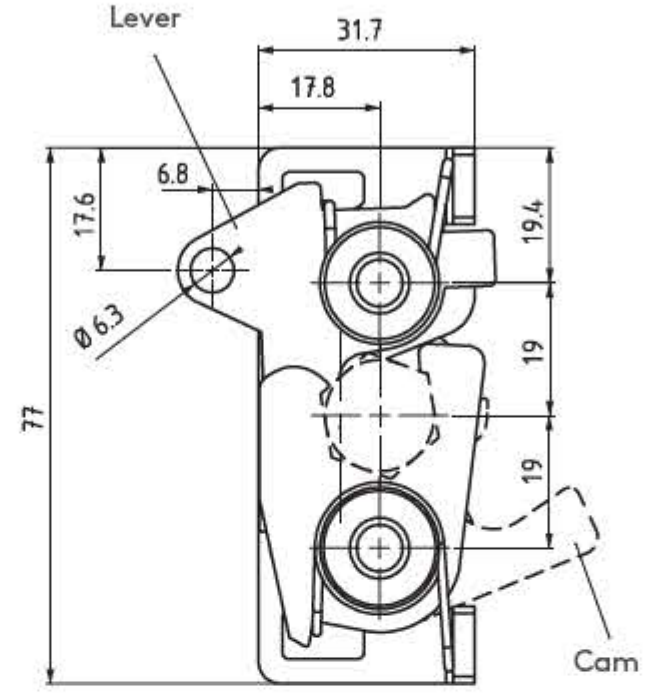
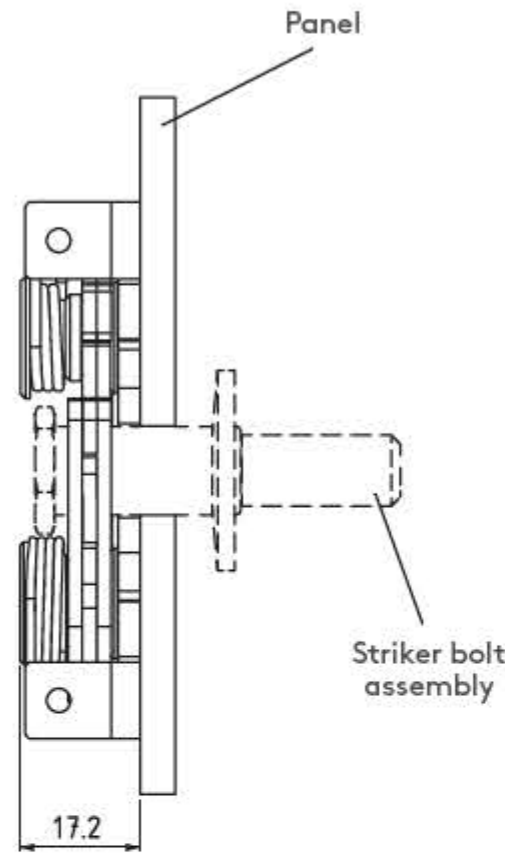
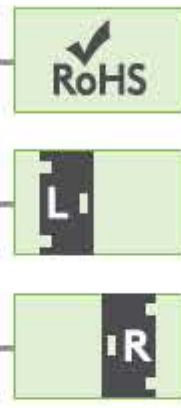


ROTARY LATCH (LARGE)

2810

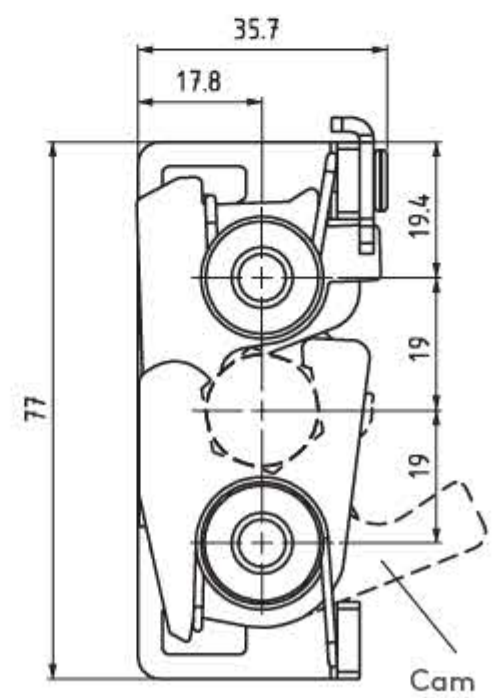
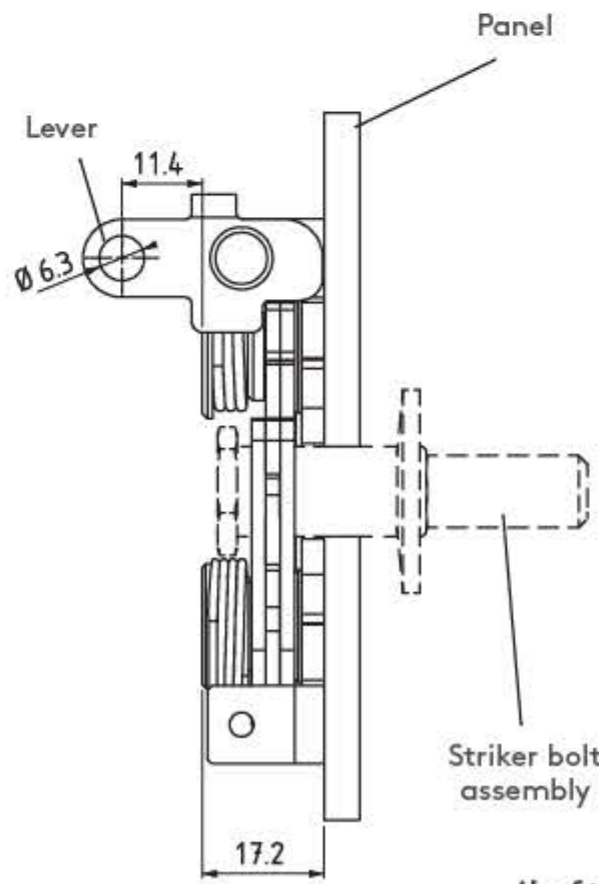
BOTTOM



(Left hand application)

ROTARY LATCH (LARGE)

PERPENDICULAR



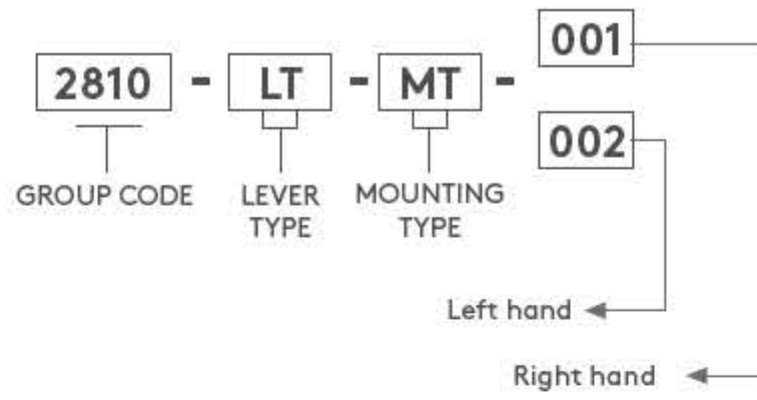
(Left hand application)

- Three different lever type
- Two stage actuation type

**MATERIAL**  
BODY: Steel

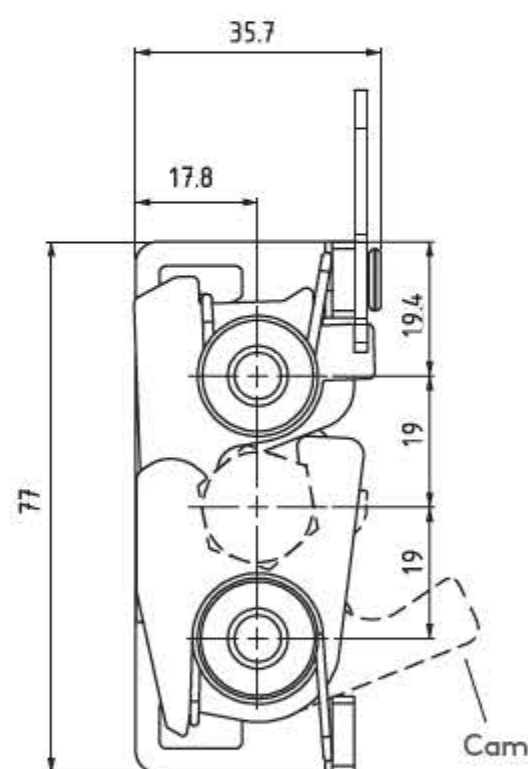
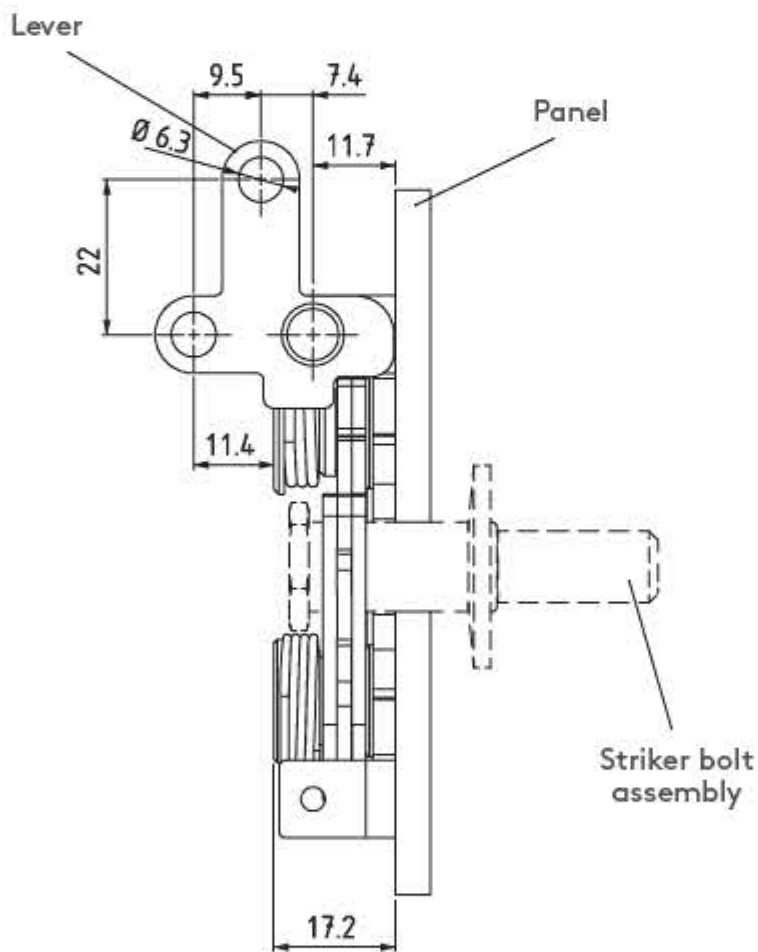
**FINISH**  
Zinc Plated

PRODUCT CODE



LEVER TYPE	LT
Bottom	1
Perpendicular	2
Two Point	3

MOUNTING TYPE	MT
Ø7,2	1
M6	2
1/4"	3



2810

ROTARY LATCH (LARGE)

TWO POINT

