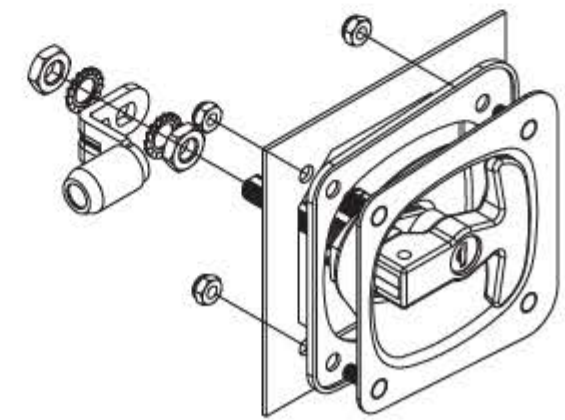
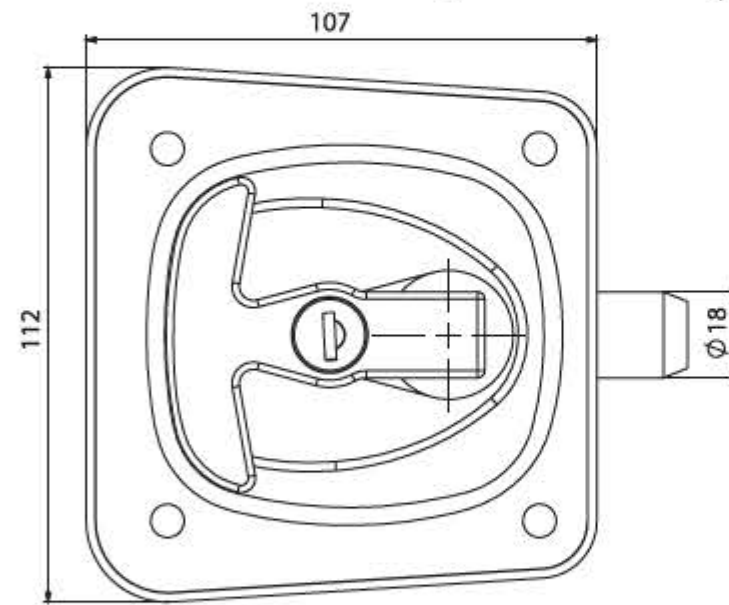
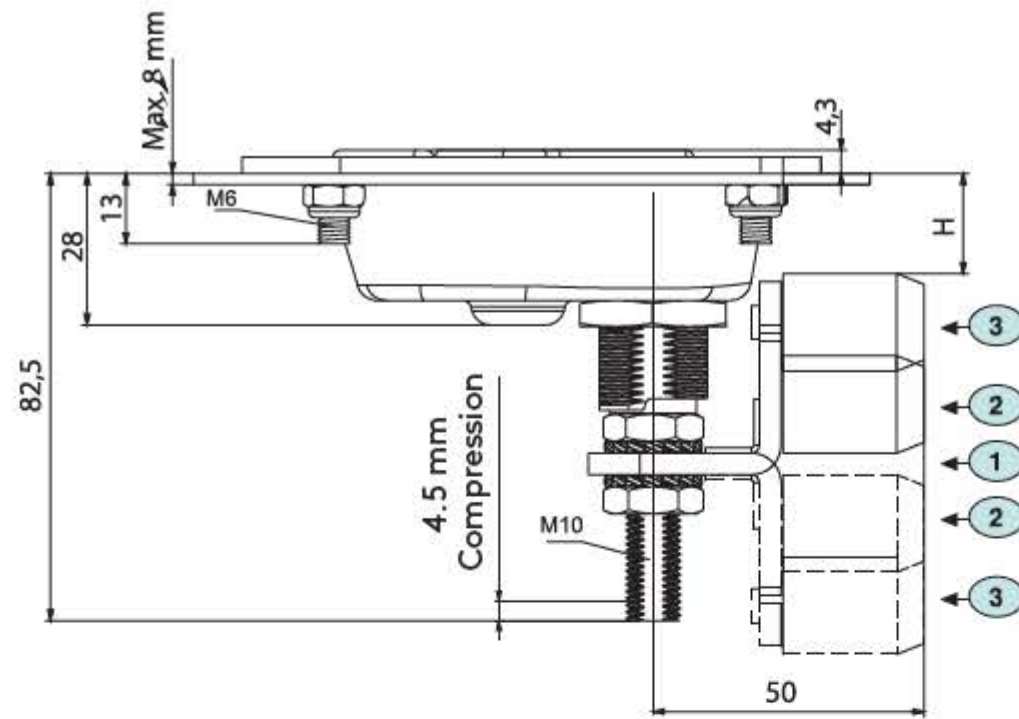




- IP 65
- RoHS
-
-



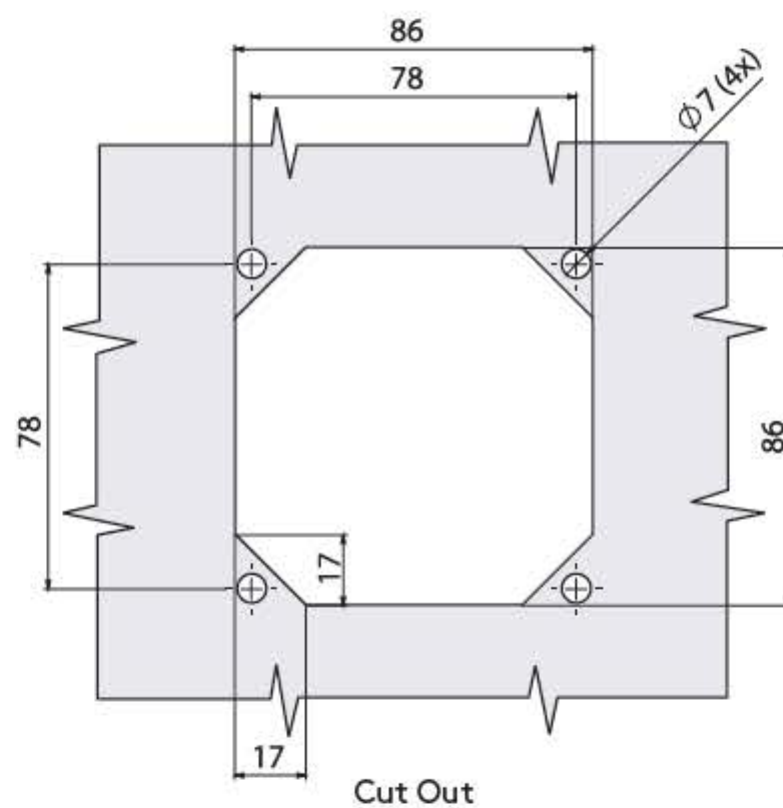
- Advanced sealing with compression
- Adjustable grip is possible
- Easy fixing with roller cam
- with/without padlock options

MATERIAL

BODY: Steel
 HANDLE: Zamak DIN-EN 1774-ZnAl4Cu1
 CAM: Steel
 SCREW: Stainless steel
 SEAL: Polyurethane

FINISH

BODY: Black coated
 HANDLE: Chrome or black coated



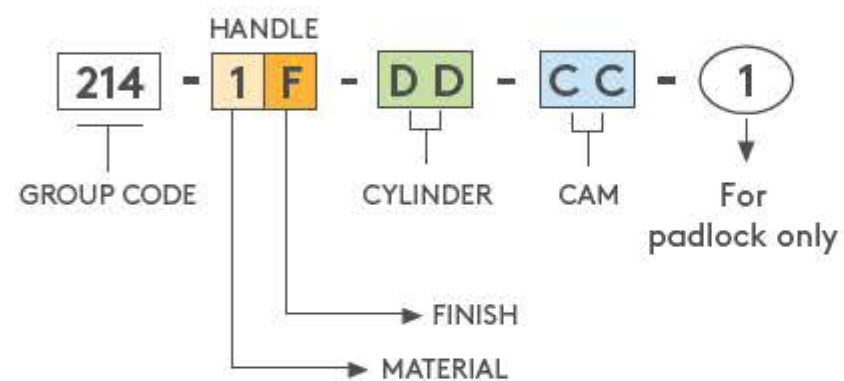
CAM	CC	Position	H: GRIP	
			min	max
1	01	Up	38	53
		Down	54	69
2	02	Up	35	50
		Down	57	72
3	03	Up	20	35
		Down	72	87



1

Padlock application

PRODUCT CODE



CYLINDER	DD
No cylinder	00
Stainless steel dust cap (Keyed alike)	03
Stainless steel dust cap (Keyed differ)	32
Euro key (5333)	05
CH751 (Stainless steel dust cap)	07

FINISH	F
Chrome	1
Black coated	2

