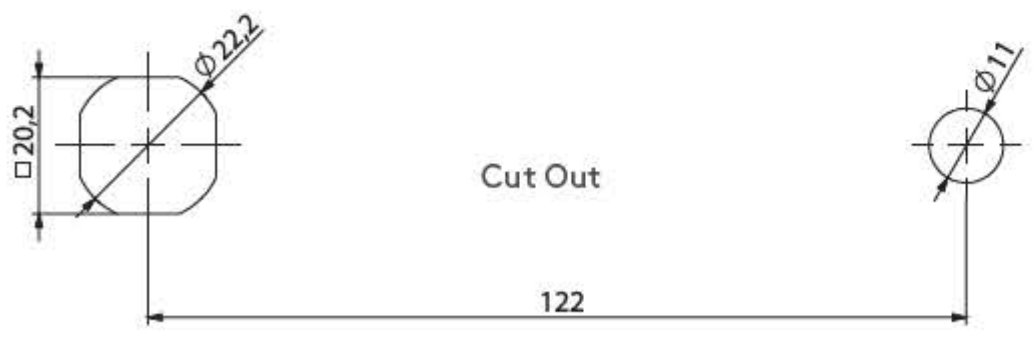
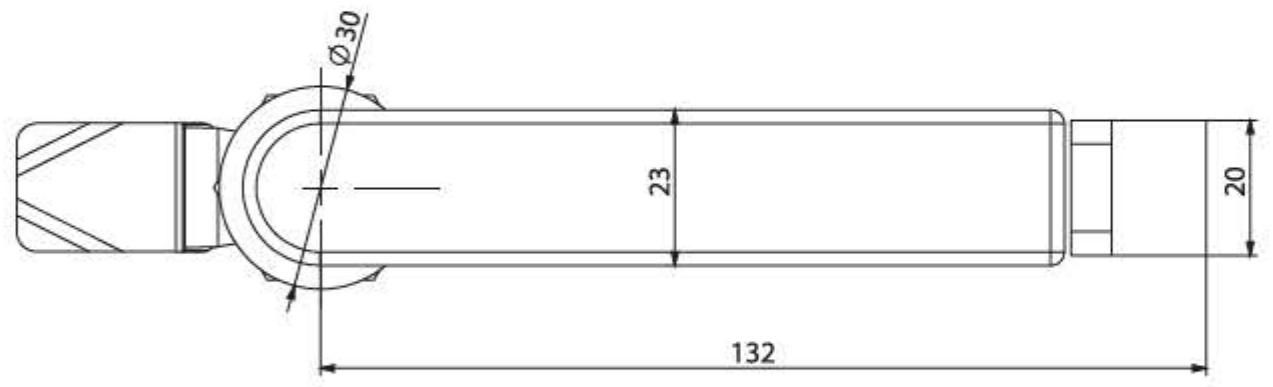
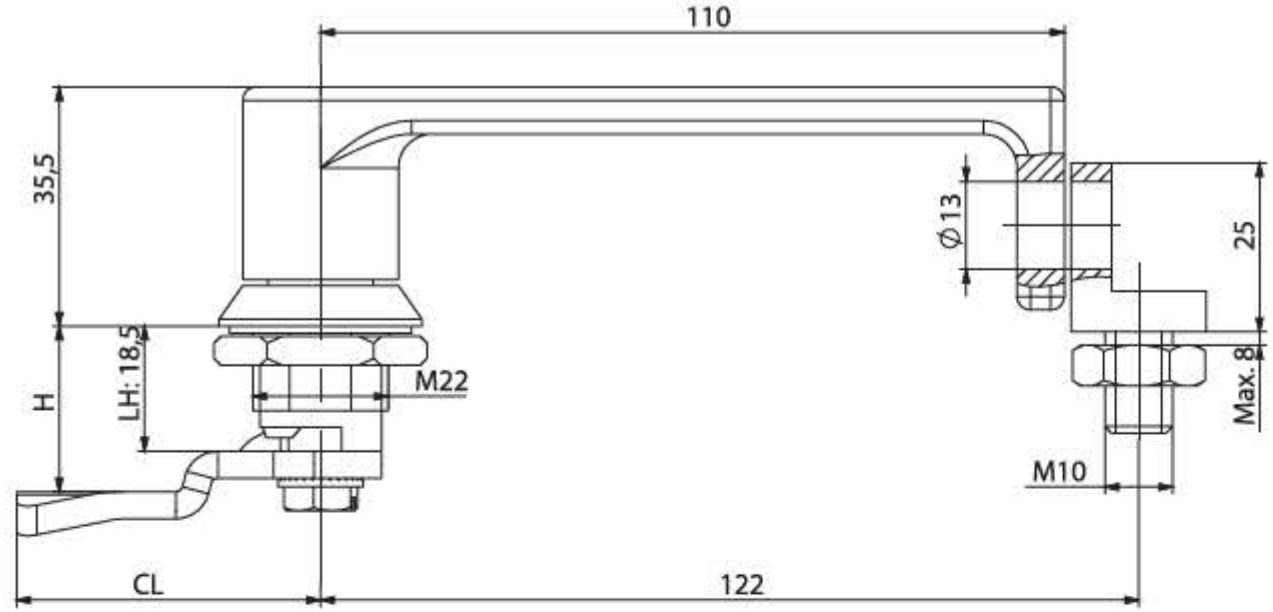


PADLOCKABLE - 'L' HANDLE

211

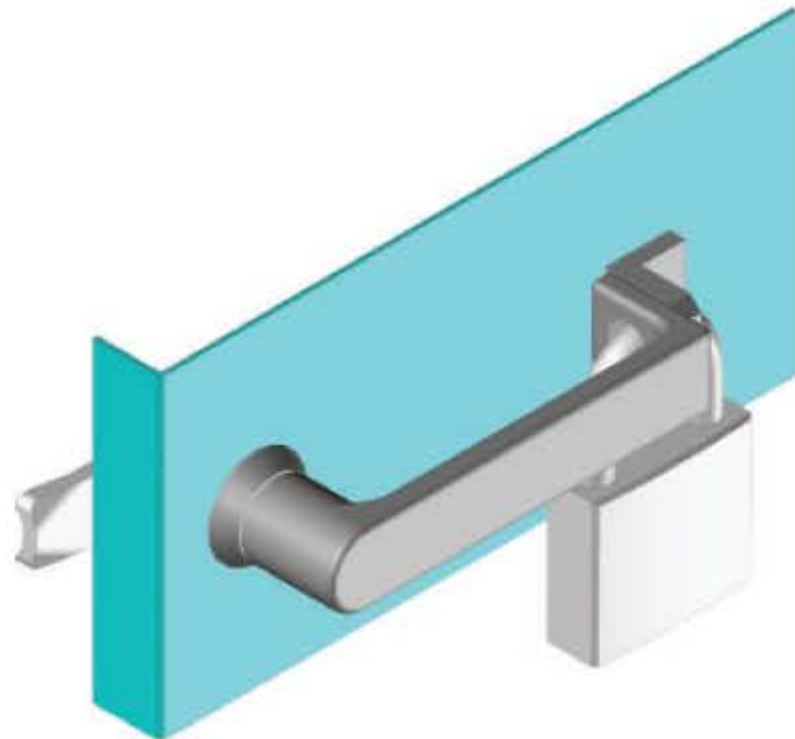


-  RoHS
-  IP 65
-  L | R

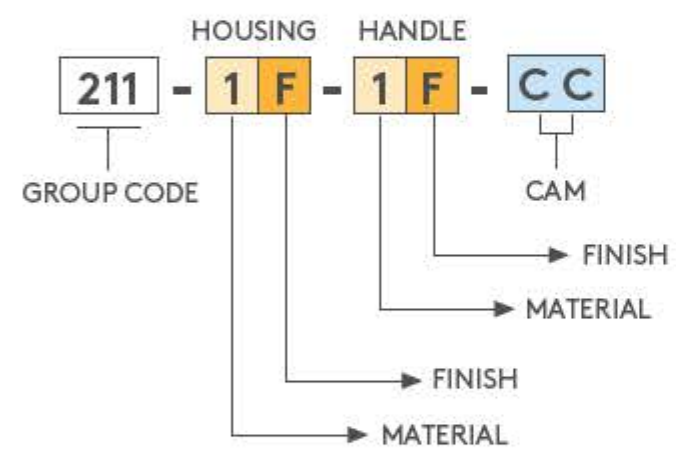


- Padlockable steel lock can be used for outdoor enclosures.
- Suitable for hygienic cabinets and electrical enclosures.

MATERIAL
HOUSING: Zamak DIN-EN 1774-ZnAl4Cu1
HANDLE: Zamak DIN-EN 1774-ZnAl4Cu1
CAM: Steel
GASKET: Rubber



PRODUCT CODE



MATERIAL	M	FINISH	F
Zamak	1	Chrome	1
		Black coated	2

