

- Remove the door by just removing the pin
- Suitable for 24 mm door bend cabinets
- Copper plated middle part for easy welding
- Stainless steel version

**MATERIAL**

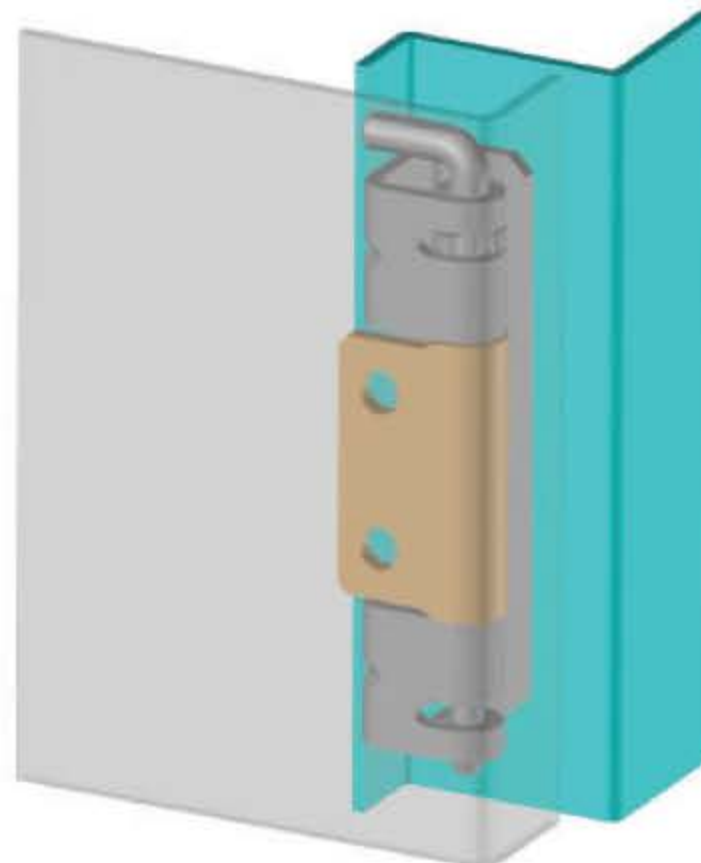
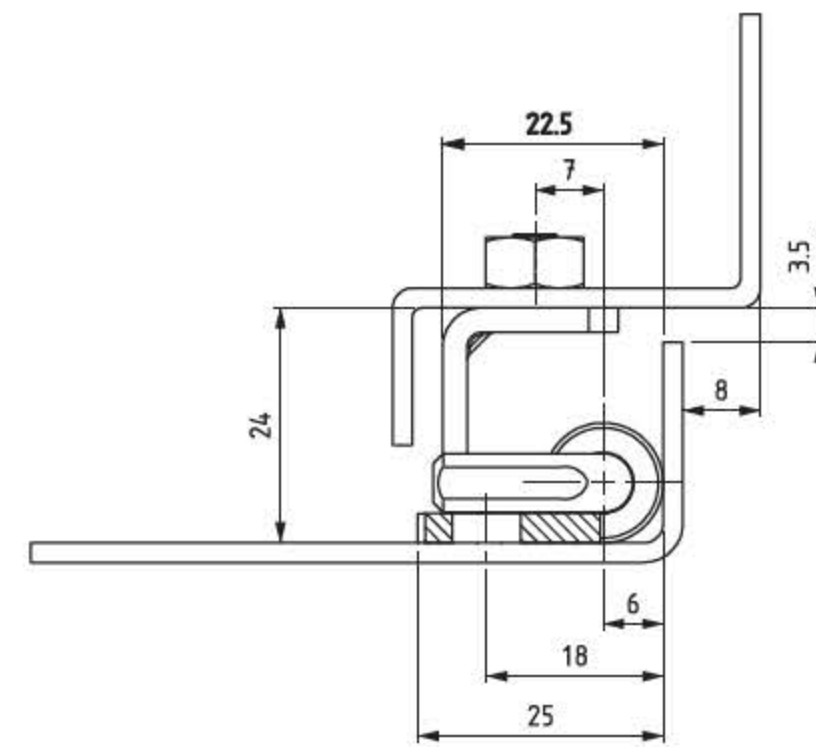
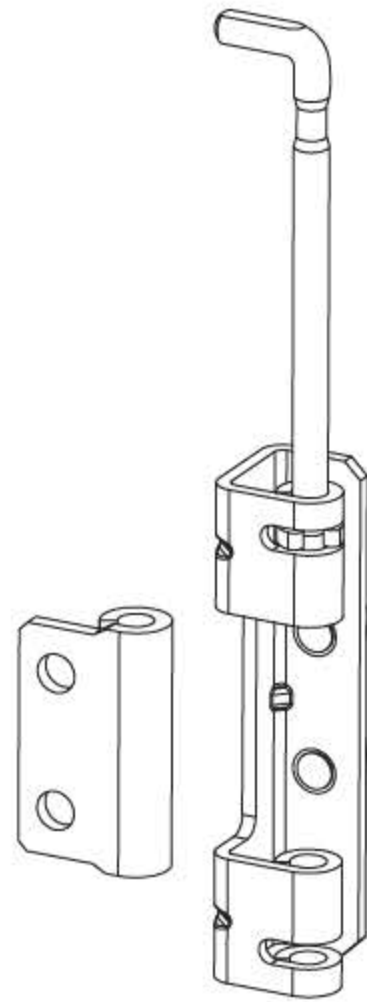
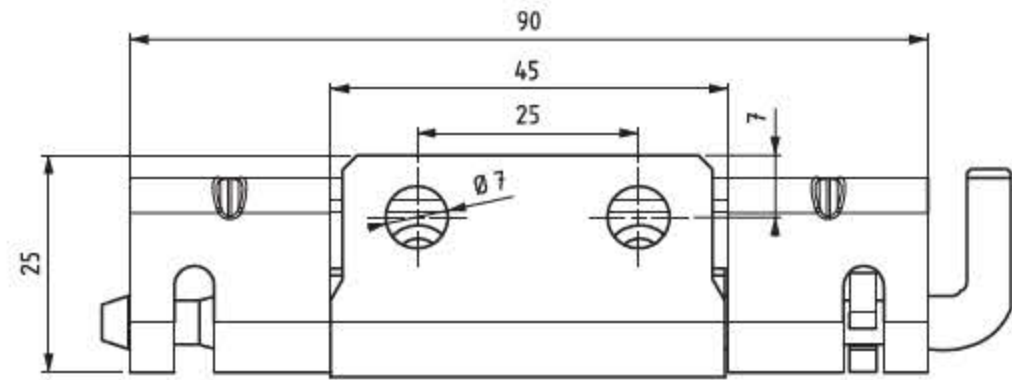
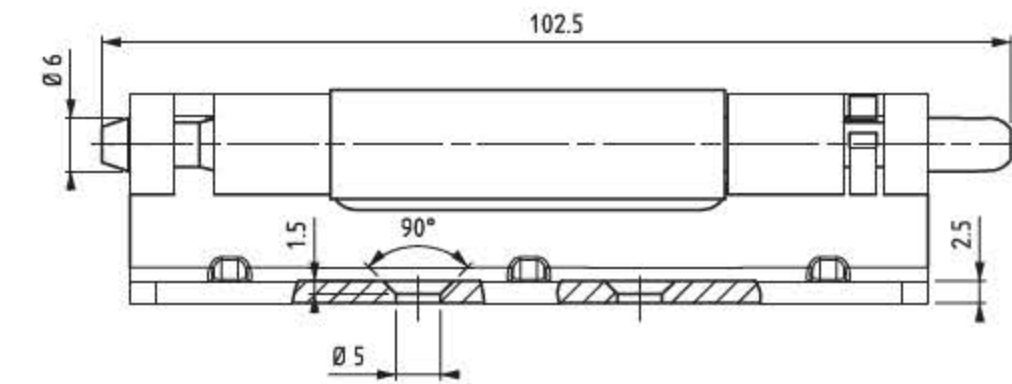
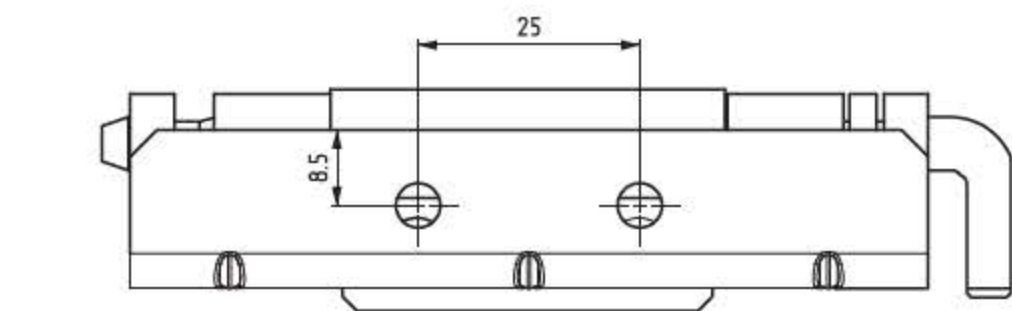
BODY: Zamak DIN-EN 1774-ZnAl4Cu1

FIXED PART: Steel

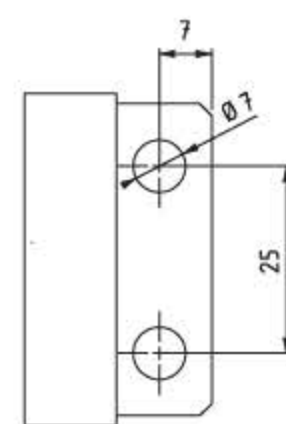
**FINISH**

BODY: Zinc plated

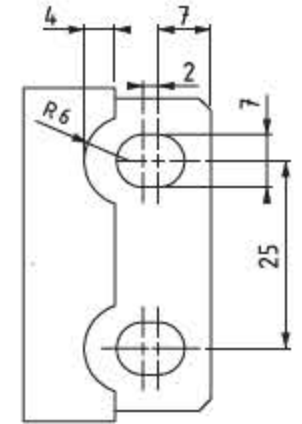
FIXED PART: Copper plated



**Middle Parts**

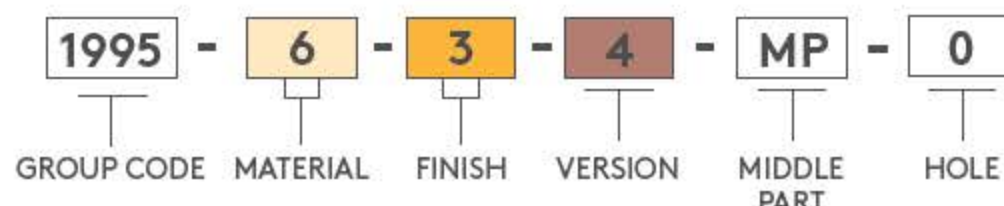


**MP :1**  
Circle



**MP :2**  
Slot

**PRODUCT CODE**



⚠ Note: Bolts are not supplied

