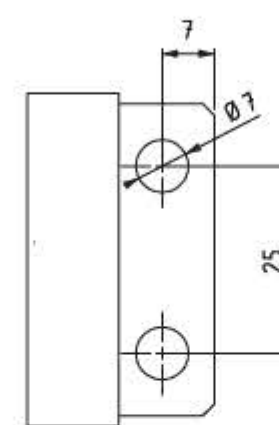


- Remove the door by just removing the pin
- Suitable for heavy-duty applications
- Suitable for 24 mm door bend cabinets

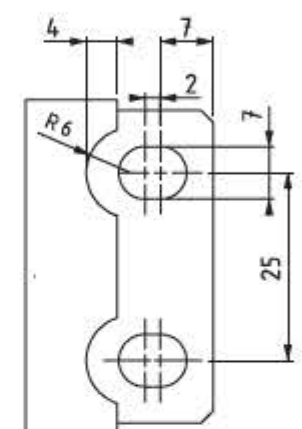
MATERIAL
 BODY: Stainless Steel (AISI 304)
 PIN: Stainless Steel (AISI 303)



Middle Parts



MP :1
Circle



MP :2
Slot

! Note: Bolts are not supplied

PRODUCT CODE

