

# MINI COMPRESSION LOCK

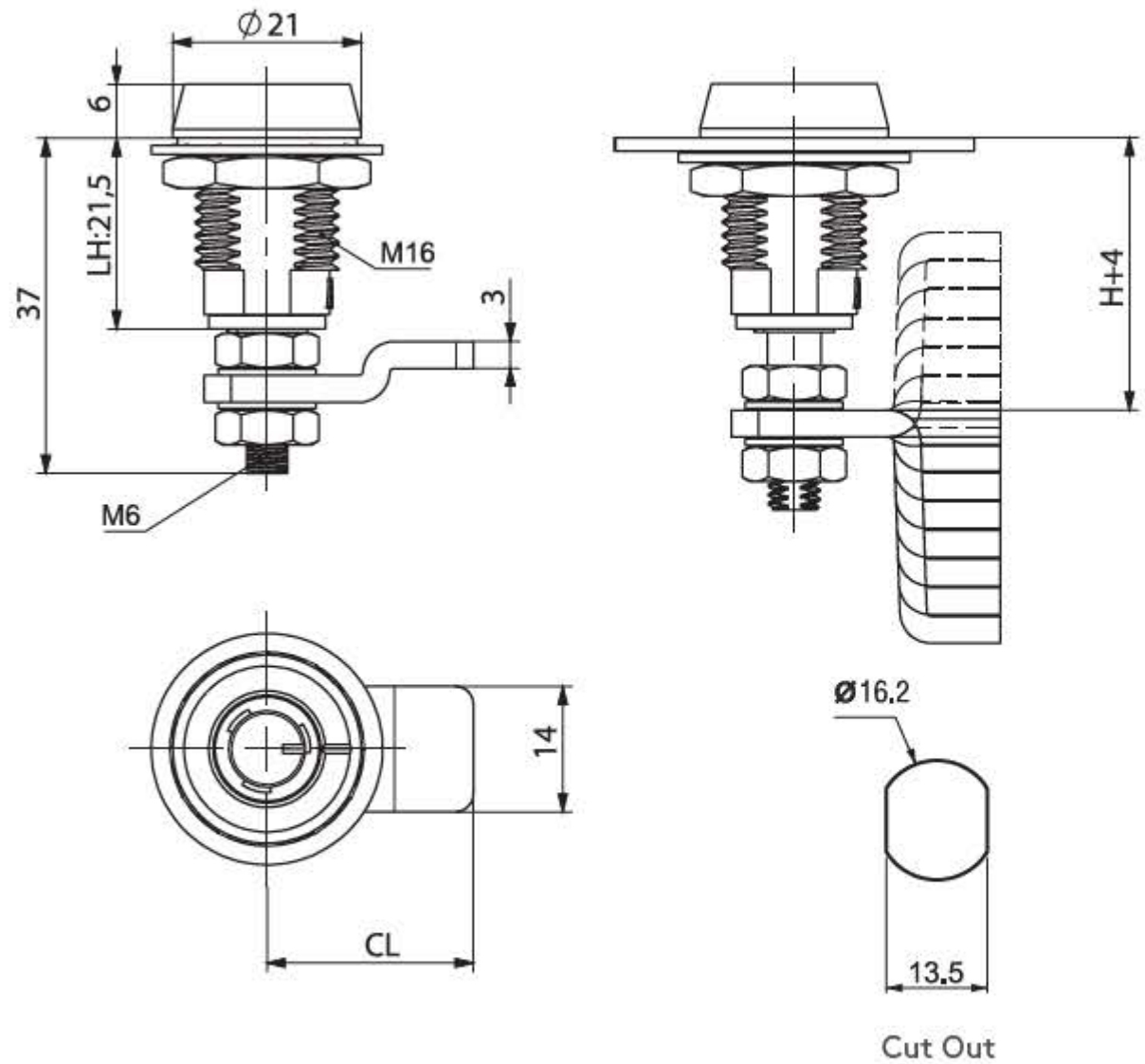
140



- Used for cabinets that require better sealing under vibrating conditions
- 4 mm compression ratio
- Provides noise isolation
- Driver and cam alternatives available

### MATERIAL

HOUSING: Stainless Steel (AISI 316)  
 DRIVER: Stainless Steel (AISI 316)  
 CAM: Stainless Steel (AISI 304)  
 NUT: Stainless Steel (AISI 30)



CAM	CC	CH	CL	H GRIP MIN	H GRIP MAX
1	01	0	23	26.2	29.4
2	02	1	23	25.2	28.4
3	03	3.8	23	22.4	25.6
4	04	7	23	19.2	22.4
5	05	10.2	23	16	19.2
6	06	13.4	23	12.8	16
7	07	16.6	23	9.6	12.8
8	08	19.8	23	6.4	9.6
9	09	23	23	3.2	6.4

DRIVERS	
Tubular key	
DD	
93	
4 mm Hexagon	
DD	
64	
Slot	
DD	
45	

# DUST CAP

140 A1



(Order separately)

MATERIAL : Polyurethane

### PRODUCT CODE

